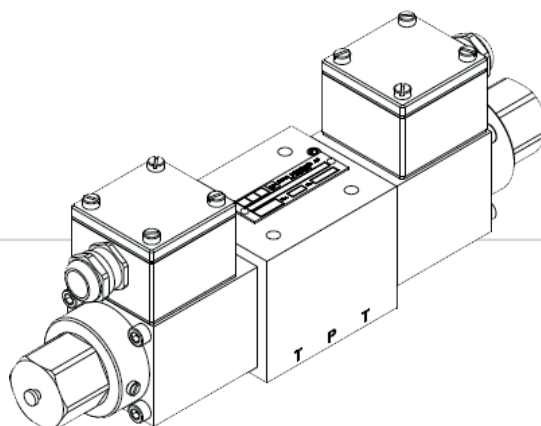


DIRECTIONAL CONTROL VALVES

1STB4432

Electrically operated directional control valves size NG10 for rough environments

- Size according to ISO 4401
- ISO 05 (NG10)
- Electrically operated
- 24 VDC
- 220 VAC
- Manual override/emergency actuation
- Six standard spools
- 4 way operation



DESCRIPTION		DATA
Max flow	ISO 10 (NG10)	45 l/min
Weight	ISO 10 (NG10)	7.3 kg
Max pressure	P, A, B	350 bar
	T	160 bar
Solenoid protection		IP 65
Test pressure		420 bar
Fluid temperature range		-20°C to +70°C
Ambient temperature range		-20°C to +50°C

1STB4432 - STANDARD SPOOL SYMBOLS

01
02
06
0J
Y3
2C