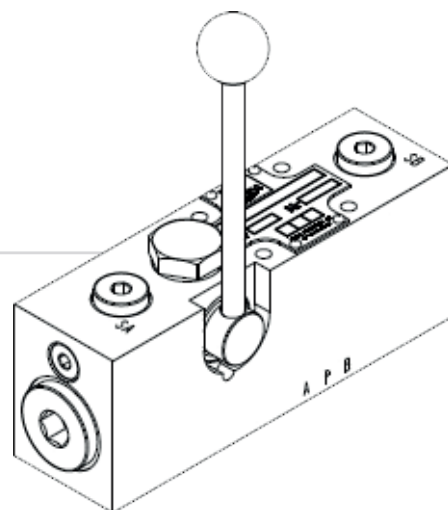


# DIRECTIONAL CONTROL VALVES

## 1STB44\*1

### Manually operated directional control valves size NG6 for rough environments

- Size according to ISO 4401  
- ISO 03 (NG6)
- Six standard spools
- Spring centered, spring offset or detent
- Option: remote controlled by pilot pressure



DESCRIPTION		DATA
Max flow		25 l/min
Weight		3.3 kg
Recommended opening pressure		40 bar
Max pressure	P, A, B	350 bar
	T	100 bar
	SA/SB	100 bar
Pilot pressure		6 bar
Test pressure		420 bar
Fluid temperature range		-20°C to +70°C
Ambient temperature range		-20°C to +50°C

#### 1STB44\*1 - STANDARD SPOOL SYMBOLS

**01**
**02**
**03**
**06**
**Y3**
**2C**