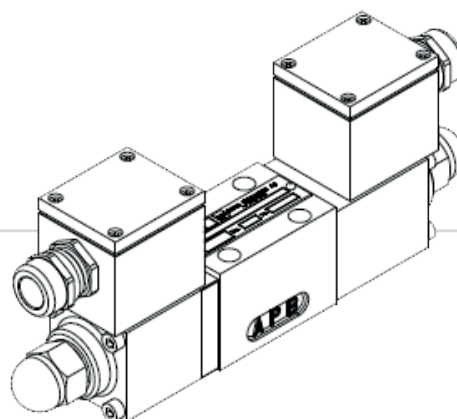


DIRECTIONAL CONTROL VALVES

1STB4431

Electrically operated directional control valves size NG06 for rough environments

- Size according to ISO 4401
- ISO 03 (NG06)
- Electrically operated
- 24 VDC
- Manual override/emergency actuation
- Two standard spools
- 4 way operation



DESCRIPTION		DATA
Max flow	ISO 03 (NG06)	60 l/min
Weight	ISO 03 (NG06)	1.9 kg
Max pressure	P, A, B	350 bar
	T	160 bar
Solenoid protection		IP 65
Test pressure		420 bar
Fluid temperature range		-20°C to +70°C
Ambient temperature range		-20°C to +50°C

1STB4431 - STANDARD SPOOL SYMBOLS

 0J

 2C