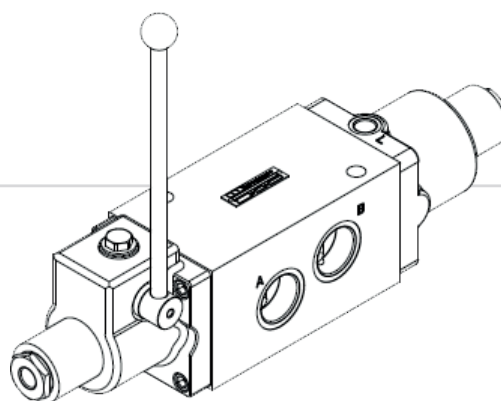


# DIRECTIONAL CONTROL VALVES

## 20ST (F) (B) - 4 way

### Manual/hydraulic operated directional control valves size 20/25/30/40/50 for rough environments

- Interface
  - Threaded connections
  - SAE flange
  - SUB plate
- Manually operated
- Proportionally remotely controlled by pilot pressure
- Six standard spools
- Various options for
  - Brake release valve



DESCRIPTION	DATA	
Max flow	20	200 l/min
	25	300 l/min
	30	450 l/min
	40	700 l/min
Weight	20	14 kg
	25	20 kg
	30	36 kg
	40	85 kg
Max pressure	P, T, A, B	350 bar
	L	30 bar
Test pressure	420 bar	
Fluid temperature range	-20°C to +70°C	
Ambient temperature range	-20°C to +50°C	

### 20ST(F)(B)-4WAY - STANDARD SPOOL SYMBOLS

**01**
**02**
**03**
**07**
**Y3**
**2C**