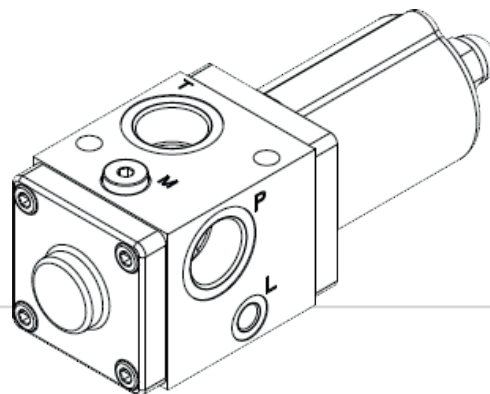


# PRESSURE CONTROL VALVES

## 2SVD(B)\*\*L

### Direct acting pressure reducing valves

- Interface
  - Thread connections
  - SUB plate



DESCRIPTION		DATA
Flow ranges	10	35 l/min
	15	75 l/min
	20	125 l/min
	30	300 l/min
Weight	10	2.5 kg
	15, 20	5.4 kg
	30	11.4 kg
Adjustment range		5-50 bar
		5-175 bar
		50 - 350 bar
Max pressure	P	350 bar
	T	350 bar
	L	10 bar
Test pressure		420 bar
Fluid temperature range		-20°C to +70°C
Ambient temperature range		-20°C to +50°C

2SVD(B)\*\*L

