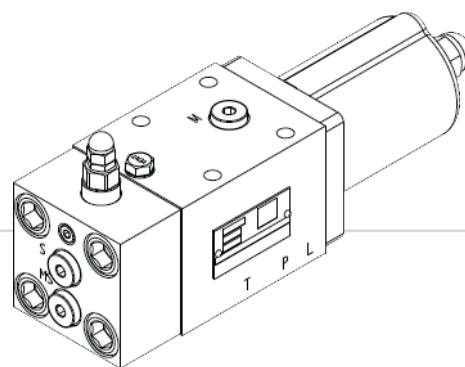


# LOAD CONTROL VALVES

## 7AVB (T) (U) (V)

### Load control valves size 10/20/30/40 for rough environments

- Interface SUB plate
- Adjustable dampening on pilot pressure line
- Adjustable opening pressure
- Single valve or sub plate with check valve for free flow



| DESCRIPTION                  |         | DATA           |
|------------------------------|---------|----------------|
| Flow ranges                  | 10      | 150 l/min      |
|                              | 20      | 450 l/min      |
|                              | 30      | 650 l/min      |
|                              | 40      | 900 l/min      |
| Weight                       | 10      | 3.5 kg         |
|                              | 20      | 6.5 kg         |
|                              | 30      | 13.6 kg        |
|                              | 40      | 19 kg          |
| Recommended opening pressure |         | 40 bar         |
| Max pressure                 | P, T, S | 350 bar        |
|                              | L       | 10 bar         |
| Test pressure                |         | 420 bar        |
| Fluid temperature range      |         | -20°C to +70°C |
| Ambient temperature range    |         | -20°C to +50°C |

