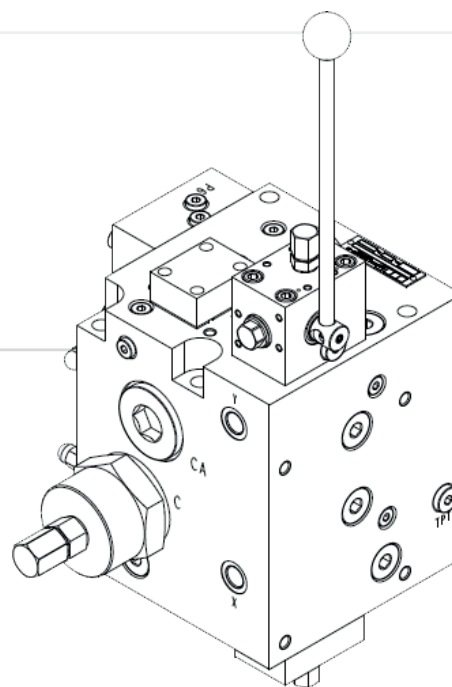


MODULAR WINCH UNITS

6MB for flow 120-650 lpm

Winch control manifolds for variable pumps

- Pipe mounted model
- Compact design
- Pressure compensator system for load independent control of hydraulic motor
- Load control valve of spool design
- Actuations
 - Manual
 - Hydraulic remote
 - Proportional electric operation
 - Combination of those above
- Options for
 - Brake release valve
 - Remote operated pressure relief A - T/B for tension control
 - Two speed selector valve
 - Up to 5 NG6 flanges for operation of external functions
 - Prepared to be fitted directly on hydraulic motor by use of an intermediate adapter plate



| DESCRIPTION | DATA | |
|---------------------------|----------------|---------------|
| Flow ranges | 200 | 120-240 l/min |
| | 320 | 200-320 l/min |
| | 450 | 300-500 l/min |
| | 650 | 450-650 l/min |
| Weight | 200/320 | 56 kg |
| | 450/650 | 96 kg |
| Max pressure | P, A, B | 350 bar |
| | T | 20 bar |
| Pilot pressure | 5-20 bar | |
| Test pressure | 420 bar | |
| Fluid temperature range | -20°C to +70°C | |
| Ambient temperature range | -20°C to +50°C | |

