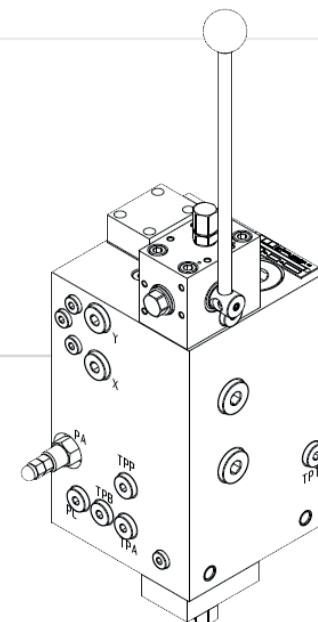


MODULAR WINCH UNITS

11MB-150/300 for flow 120-320 lpm

Winch control manifolds for variable pumps

- Pipe mounted model
- Compact design
- Pressure compensator system for load independent control of hydraulic motor
- Actuations
 - Manual
 - Hydraulic remote
 - Proportional electric operation
 - Combination of those above
- Options for
 - Brake release valve
 - Up to 2 NG6 flanges for operation of external functions



DESCRIPTION	DATA	
Flow ranges	150	120-220 l/min
	300	220-320 l/min
Weight	150/300	35 kg
Max pressure	P, A, B	350 bar
	T	20 bar
	D	10 bar
Pilot pressure	5-20 bar	
Test pressure	420 bar	
Fluid temperature range	-20°C to +70°C	
Ambient temperature range	-20°C to +50°C	

