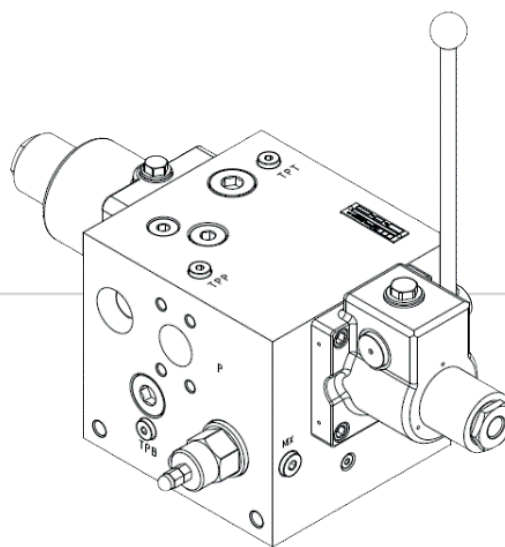


MODULAR WINCH UNITS

VB25/30 for nominal flow up to 240/450 lpm

Winch control manifolds for fixed pumps

- Pipe mounted model
- Compact design
- Load control valve of spool design
- Actuations
 - Manual
 - Hydraulic remote
 - Combination of those above
- Options for
 - Brake release valve
 - Remote operated pressure relief A - B for tension control



DESCRIPTION	DATA	
Flow ranges	25	240 l/min
	30	450 l/min
Weight	25	37 kg
	30	
Max pressure	P, T, A, B	207 bar
	L	10 bar
Pilot pressure	8-30 bar	
Test pressure	350 bar	
Fluid temperature range	-20°C to +70°C	
Ambient temperature range	-20°C to +50°C	

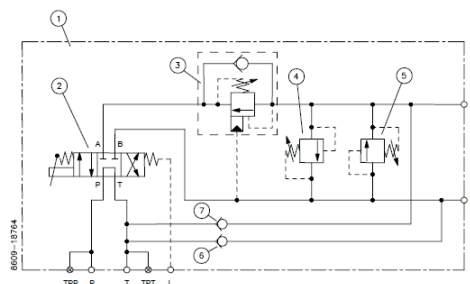


Figure 3 VB25 Hydraulic Diagram, manual operated directional valve.

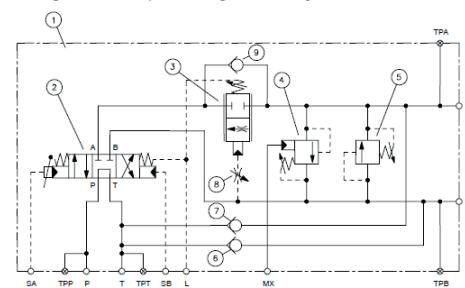


Figure 4 VB30 Hydraulic Diagram, hydraulic remote controlled main directional valve