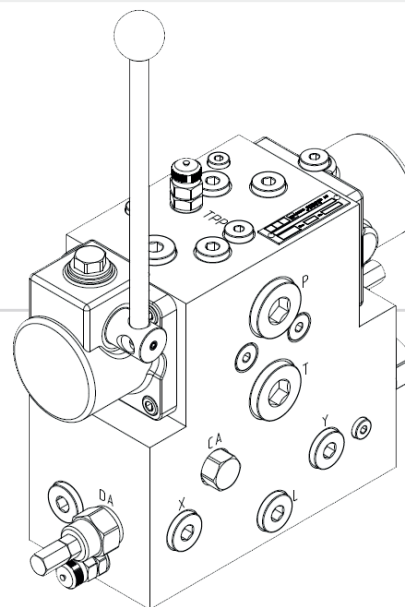


MODULAR WINCH UNITS

SVB for flow up to 200 lpm

Winch control manifolds for fixed pumps

- Pipe mounted model to be directly mounted on to Staffa SM3 flange
- Compact symmetrical design
- Load control valve of poppet/spool design
- Actuations
 - Manual
 - Hydraulic remote
 - Combination of those above
- Options for
 - Brake release valve



DESCRIPTION		DATA
Flow ranges	20	200 l/min
Weight	20	38 kg
Max pressure	P, T, A, B	250 bar
	L	10 bar
Pilot pressure		8-30 bar
Test pressure		375 bar
Fluid temperature range		-20°C to +70°C
Ambient temperature range		-20°C to +50°C

