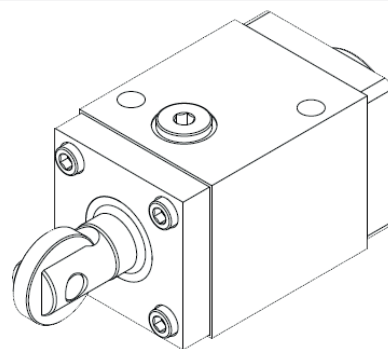
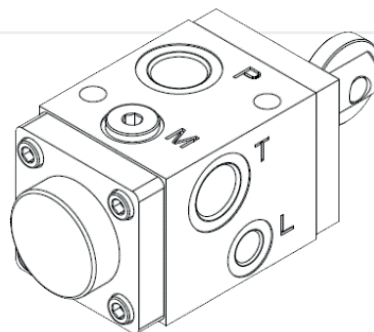


# DIRECTIONAL CONTROL VALVES

## 2ST(B)-2 way

### Mechanically operated 2-way directional control valves size 10/20/30 for rough environments

- Interface
  - Threaded connections
  - SUB plate mounting
- Mechanically controlled by wheel
- Two standard spools



DESCRIPTION		DATA
Max flow	ISO 03 (NG06)	60 l/min
Weight	ISO 03 (NG06)	1.9 kg
Max pressure	P, A, B	350 bar
	T	160 bar
Solenoid protection		IP 65
Test pressure		420 bar
Fluid temperature range		-20°C to +70°C
Ambient temperature range		-20°C to +50°C

### 2ST(B)-2 WAY - STANDARD SPOOL SYMBOLS

