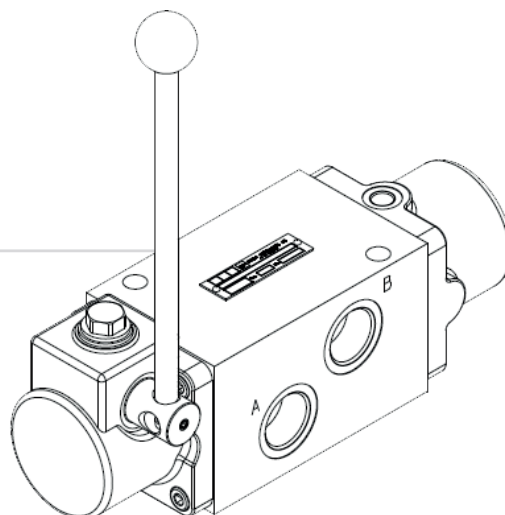


# DIRECTIONAL CONTROL VALVES

## 5ST(B)-4 way

### Manually operated directional control valves size 10/15/20/25/30 for rough environments

- Interface
  - Threaded connections
  - SUB plate mounting
  - SAE flange
- Manually operated
- Six standard spools
- 4 way operation
- Various options for
  - Spring or detent
  - Brake release valve



DESCRIPTION	DATA	
Max flow	10	50 l/min
	15	100 l/min
	20	200 l/min
	25	300 l/min
	30	450 l/min
Weight	10	5 kg
	15	7.8 kg
	20	11.5 kg
	25	18 kg
	30	32.5 kg
Max pressure	P, T, A, B	350 bar
	L	30 bar
Test pressure	420 bar	
Fluid temperature range	-20°C to +70°C	
Ambient temperature range	-20°C to +50°C	

### 5ST(B)-4 WAY - STANDARD SPOOL SYMBOLS

**01**
**02**
**03**
**07**
**Y3**
**2C**