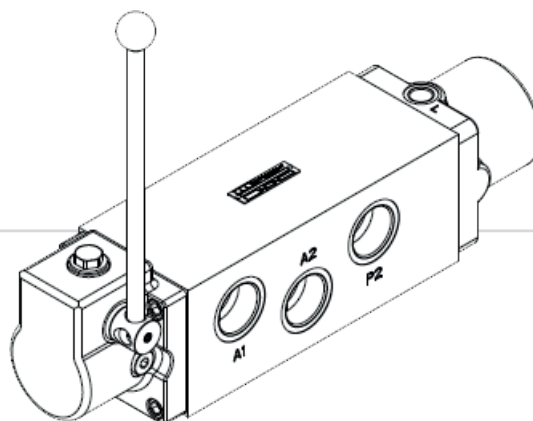


DIRECTIONAL CONTROL VALVES

5ST-6 way

Manually operated directional control valves size 10/20/30 for rough environments

- Interface threaded connections
- Manually operated
- Remote controlled by pilot pressure
- 2 standard spools
- 6 way operation-2 positions
- Various options for
 - Spring or detent
 - Brake release valve



DESCRIPTION	DATA	
Max flow	10	50 l/min
	20	200 l/min
	30	450 l/min
Weight	10	5.7 kg
	20	14.9 kg
	30	45.5 kg
Max pressure	P*, A*, B*	350 bar
	L	30 bar
Test pressure	420 bar	
Fluid temperature range	-20°C to +70°C	
Ambient temperature range	-20°C to +50°C	

5ST-6WAY - STANDARD SPOOL SYMBOLS

6B
6V