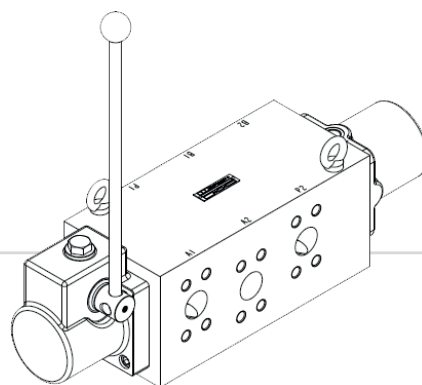


DIRECTIONAL CONTROL VALVES

13STF-6 way

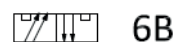
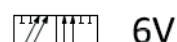
Manually operated directional control valves size 30/40/50 for rough environments

- Interface SAE flange
- Manually operated
- 6 way-2 position
- Various options for
 - Spring or detent
 - Optional with brake release valve



DESCRIPTION	DATA	
Max flow	30	450 l/min
	40	700 l/min
	50	1000 l/min
Weight	30	48 kg
	40	100 kg
	50	150 kg
Max pressure	P*, A*, B*	350 bar
	L	30 bar
Test pressure	420 bar	
Fluid temperature range	-20°C to +70°C	
Ambient temperature range	-20°C to +50°C	

13STF-6 WAY - STANDARD SPOOL SYMBOLS


6B

6V