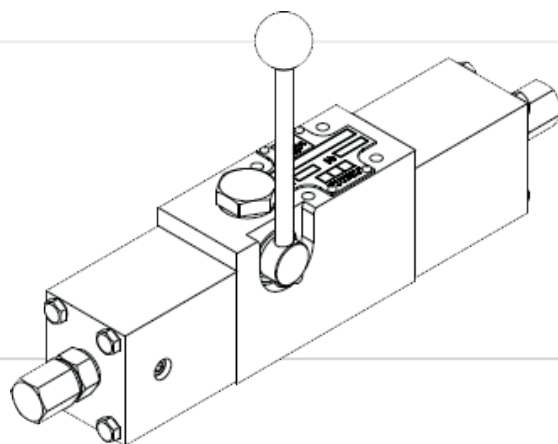


PRESSURE CONTROL VALVES

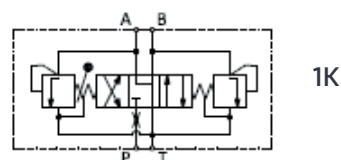
1FGB

Manually operated proportional pressure valves

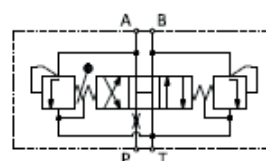
- Size according to ISO 4404 - ISO 03 (NG6)
- Manually operated by hand lever
- Several adjustment ranges are available
- Size according to ISO 4404 - ISO 03 (NG6)



DESCRIPTION		DATA
Flow ranges		4 l/min
Weight		5 kg
Pressure range spring 01 version		8-35 bar
Pressure range spring 02 version		2-15 bar
Pressure range spring 03 version		2-85 bar
Pressure range spring 05 version		10-50 bar
Pressure range spring 07 version		5-20 bar
Pressure range spring 11 version		8-25 bar
Pressure range spring 15 version		25-190 bar
Max pressure	P	350 bar
	T	10 bar
Test pressure		420 bar
Fluid temperature range		-20°C to +70°C
Ambient temperature range		-20°C to +50°C



1K



1L