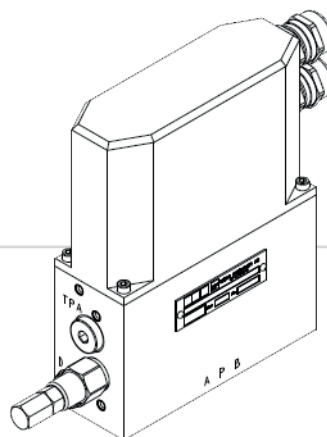


PRESSURE CONTROL VALVES

8FGBR

Proportional pressure reducing valves

- ISO 4404 - NG6 (ISO 03)
- Electrically operated 12 VDC og 24 VDC
- Protection degree IP66
- Available with Ex certification
- Several adjustment ranges are available



DESCRIPTION		DATA
Flow ranges		4 l/min
Weight		5 kg
Pressure range		0-25 bar 0-32 bar
Max pressure	P	350 bar
	T	10 bar
Test pressure		420 bar
Fluid temperature range		-20°C to +70°C
Ambient temperature range		-20°C to +50°C

