



Ball Vibrators K

Ball vibrators, simple and good.
Wide range for many applications.

Properties

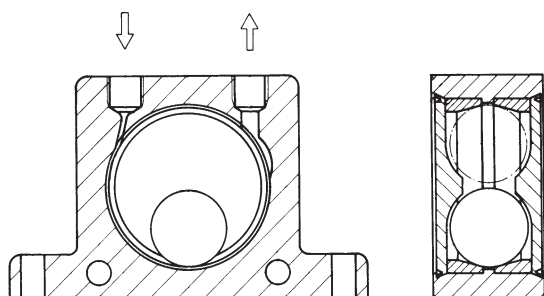
- Powerful
- Rated frequency 7'300 – 35'000 rpm
- Centrifugal force 130 – 4'050 N
- Continuously variable
- Can be used up to 100 °C
- HT version up to 150 °C on request
- Also available with ATEX certification

Field of application

- Emptying of bunkers
- Screen filters
- Vibrating tables
- Preventing adhesions in pipelines and silos
- Moving of goods

Construction

- Vibration by means of a ball that is guided by hardened steel guides.
- Nylon plates on both sides to support the ball and as protection from dust and water.
- Housing with 4 mounting bores, depending on the application.

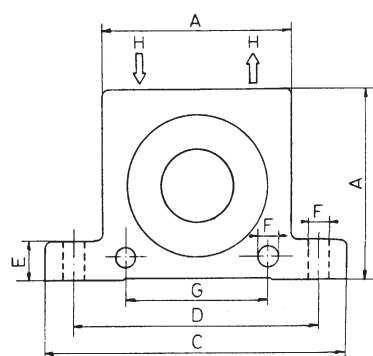


Housing made from extruded aluminium alloy
Hardened guides made of steel
Nylon end plates
Hardened ball

Technical data (with PSI, LBS, CF: www.findeva.com)

Model	Vibrations 1000 rpm		Centrifugal force N		Air consumption l/min	
	2 bars	6 bars	2 bars	6 bars	2 bars	6 bars
K-8	25.5	35	130	360	83	195
K-10	22.5	34	250	710	92	200
K-13	15	22.5	320	870	94	225
K-16	13	19.5	450	1100	122	280
K-20	10.5	16.5	720	1720	130	340
K-25	9.2	14	930	2050	160	425
K-30	7.8	12.5	1510	3210	215	570
K-36	7.3	10	2060	4050	260	675

Sizes and weights in mm and g (more details and including inches at www.findeva.com)



Model	A	Width	C	D	E	F	G	H Thread BSP	Weight g
K-8	50	20	86	68	12	7	40	1/4"	130
K-10	50	20	86	68	12	7	40	1/4"	130
K-13	65	24	113	90	16	9	50	1/4"	260
K-16	65	27	113	90	16	9	50	1/4"	300
K-20	80	33	128	104	16	9	60	1/4"	530
K-25	80	38	128	104	16	9	60	1/4"	630
K-30	100	44	160	130	20	11	80	3/8"	1130
K-36	100	50	160	130	20	11	80	3/8"	1340