

Newdeal FILTER

Filter with different impurity filtration degrees.

- Metal bowl with external viewing
- Semi-automatic and condensate drainage

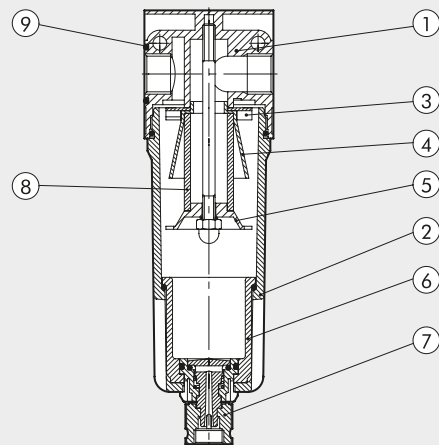


TECHNICAL DATA

		FIL ND 1/4"	FIL ND 3/8"	FIL ND 1/2"	FIL ND 3/4"	FIL ND 1"
Threaded port		1/4"	3/8"	1/2"	3/4"	1"
Degree of filtration	µm	4 - 20 - 50	4 - 20 - 50	4 - 20 - 50	4 - 20 - 50	4 - 20 - 50
Max. inlet pressure	MPa	1.8	1.8	1.8	1.8	1.8
	bar	18	18	18	18	18
	psi	261	261	261	261	261
Flow rate at 6.3 bar (0.63 MPa to 91 psi) ΔP 0.5 bar (0.05 MPa to 7 psi)	Nl/min	1300	3100	3100	9100	9100
	scfm	46	110	110	324	324
Flow rate at 6.3 bar (0.63 MPa to 91 psi) ΔP 1 bar (0.1 MPa to 14 psi)	Nl/min	1720	4100	4100	11000	11000
	scfm	61	146	146	391	391
Max temperature at 1 MPa; 10 bar; 145 psi	°C	50°	50°	50°	50°	50°
	°F	122°	122°	122°	122°	122°
Weight	kg	0.4	0.9	0.9	1.2	1.2
Wall fixing screws		M4 x 40	M4 x 55	M4 x 55	M6 x 75	M6 x 75
Bowl capacity	cm ³	10	45	45	170	170
Mounting position		Vertical	Vertical	Vertical	Vertical	Vertical
Drain		RMSA - SAC	RMSA - SAC - RA	RMSA - SAC - RA	RMSA - RA	RMSA - RA
		RMSA: drain with manual condensate discharge and automatic discharge at zero pressure.				
		RA: automatic drain with condensate discharge, independent of pressure and flow rate. Version conveys the draining by inserting the pipe having internal diameter 6 mm in the lower port.				
		SAC: automatic drain with condensate discharge.				
		Operates by depression – requires variable air take-offs.				
		Compressed air				
		The maximum inlet pressure for the version with RA automatic condensate drainage must not exceed 10 bar.				
Fluid						
Note on use						

COMPONENTS

- ① Zamak body
- ② Aluminium bowl
- ③ Technopolymer centrifuge
- ④ Technopolymer baffle plug
- ⑤ Technopolymer screen
- ⑥ Clear technopolymer bowl
- ⑦ Drain (RMSA)
- ⑧ HDPE bronze filter cartridge (1/4 - 3/8 - 1/2), sintered bronze (1")
- ⑨ NBR gaskets

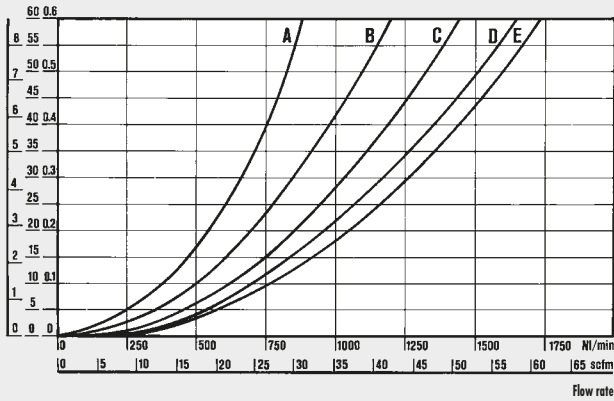


FLOW CHARTS

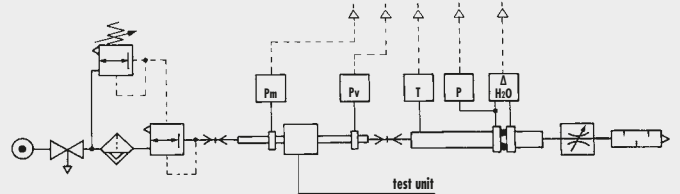
FIL 1/4

$\Delta P = (P_m - P_v)$

psi kPa bar



Department of Mechanics
Turin Polytechnic



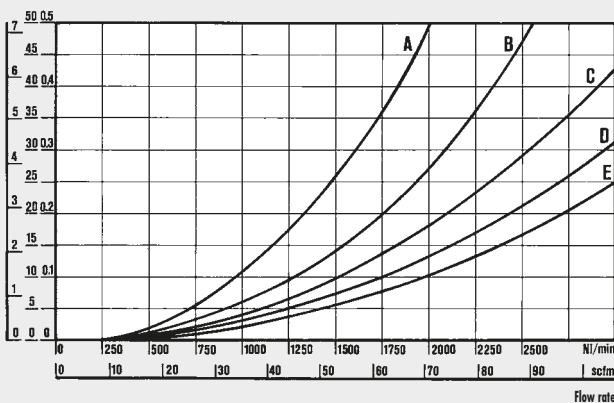
• Flow tests carried out at the Department of Mechanics, Turin Polytechnic, using the computerized test bench following CETOP RP50R recommendations (ISO DIS 6358-2-approved) with ISO 5167 diaphragm gauge.

- (A) = 2 bar - 0.2 MPa - 29 psi
- (B) = 4 bar - 0.4 MPa - 58 psi
- (C) = 6 bar - 0.6 MPa - 87 psi
- (D) = 8 bar - 0.8 MPa - 116 psi
- (E) = 10 bar - 1 MPa - 145 psi

FIL 3/8 - 1/2

$\Delta P = (P_m - P_v)$

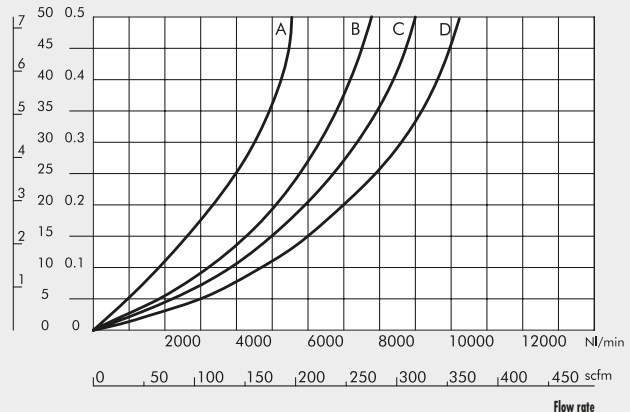
psi kPa bar



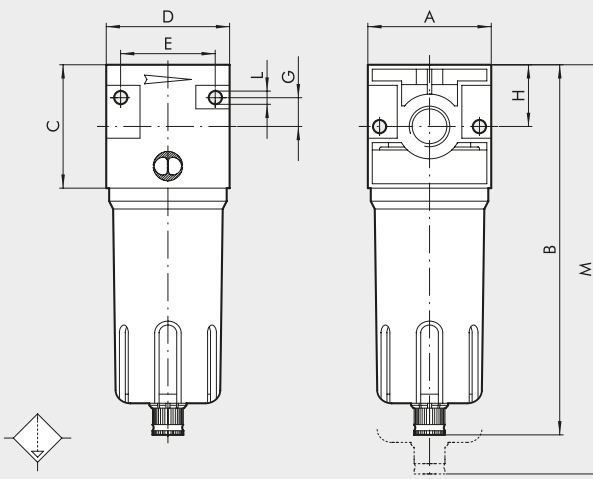
FIL 3/4 - 1"

$\Delta P = (P_m - P_v)$

psi kPa bar



DIMENSIONS



		FIL ND 1/4"	FIL ND 3/8"	FIL ND 1/2"	FIL ND 3/4"	FIL ND 1"
Threaded port		1/4"	3/8"	1/2"	3/4"	1"
A		42	60		80	
B	RMSA	142	180		235	
	RA	-	184		239	
	SAC	146	184		239	
C		42	60		80	
D		42	60		80	
E		32	46		66	
G		10	14		22	
H		21	30		40	
L		Hole for M4 screws	Hole for M4 screws		Hole for M6 screws	
M	RMSA	185	230		325	
	RA	-	234		329	
	SAC	189	234		329	

SYNOPTIC, SIZES AND VERSIONS

FIL ELEMENT	1/4 THREADED PORT	4 DEGREE OF FILTRATION	RMSA TYPE OF CONDENSATE DRAIN
FIL.	1/4	4 μm 20 μm 50 μm	RMSA
	3/8		SAC
	1/2		RMSA
	3/4		SAC
	1		RA

RMSA: drain with manual condensate discharge and automatic discharge at zero pressure.

RA: automatic drain with condensate discharge, independent of pressure and flow rate. Version conveys the draining by inserting the pipe having internal diameter 6 mm in the lower port.

SAC: automatic drain with condensate discharge.

Operates by depression – requires variable air take-offs.

ORDERING CODES

Code	Description
New deal FILTER 1/4"	
1221005	FIL 1/4 4 RMSA
1221013	FIL 1/4 4 SAC
1221006	FIL 1/4 20 RMSA
1221014	FIL 1/4 20 SAC
1221008	FIL 1/4 50 RMSA
1221016	FIL 1/4 50 SAC
New deal FILTER 3/8"	
1321005	FIL 3/8 4 RMSA
1321009	FIL 3/8 4 RA
1321013	FIL 3/8 4 SAC
1321006	FIL 3/8 20 RMSA
1321010	FIL 3/8 20 RA
1321014	FIL 3/8 20 SAC
1321008	FIL 3/8 50 RMSA
1321012	FIL 3/8 50 RA
1321016	FIL 3/8 50 SAC
New deal FILTER 1/2"	
1421005	FIL 1/2 4 RMSA
1421009	FIL 1/2 4 RA
1421013	FIL 1/2 4 SAC
1421006	FIL 1/2 20 RMSA
1421010	FIL 1/2 20 RA
1421014	FIL 1/2 20 SAC
1421008	FIL 1/2 50 RMSA
1421012	FIL 1/2 50 RA
1421016	FIL 1/2 50 SAC
New deal FILTER 3/4"	
1521005	FIL 3/4 4 RMSA
1521009	FIL 3/4 4 RA
1521006	FIL 3/4 20 RMSA
1521010	FIL 3/4 20 RA
1521008	FIL 3/4 50 RMSA
1521012	FIL 3/4 50 RA
New deal FILTER 1"	
1621005	FIL 1 4 RMSA
1621009	FIL 1 4 RA
1621006	FIL 1 20 RMSA
1621010	FIL 1 20 RA
1621008	FIL 1 50 RMSA
1621012	FIL 1 50 RA

NOTES