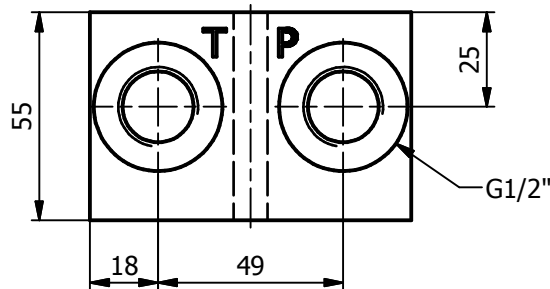
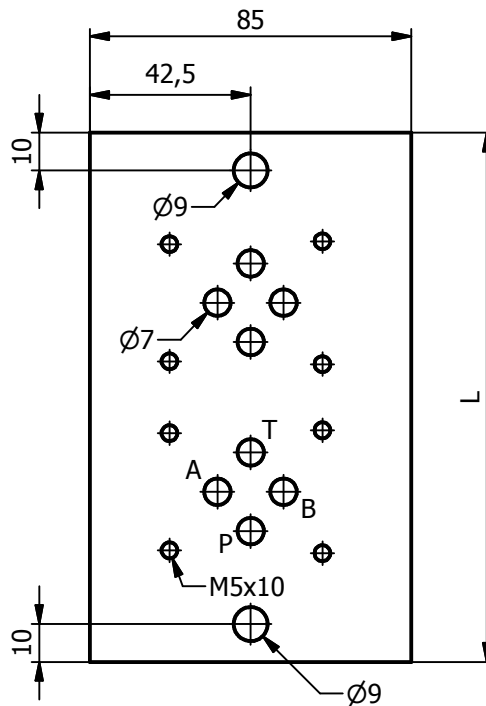
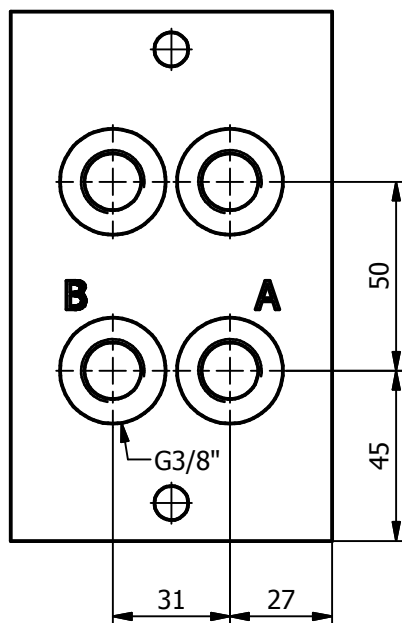
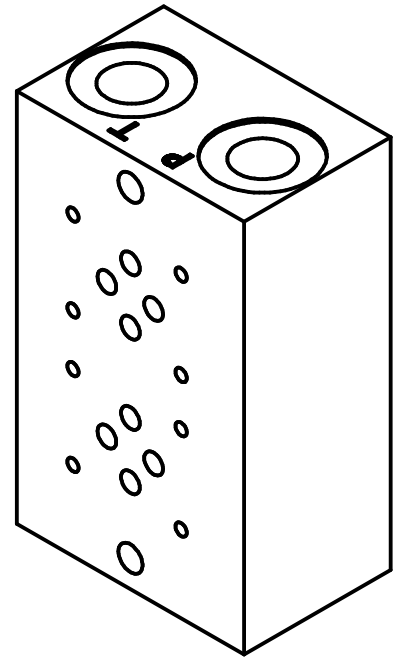
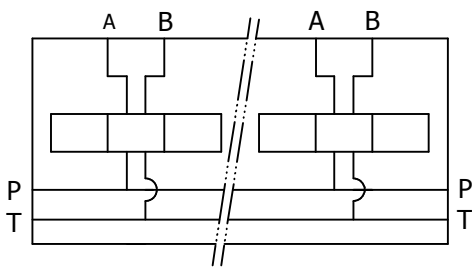


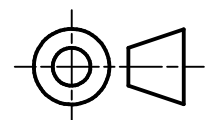
Multiple valve manifolds Size A6 DIN 24340 NG6 CETOP 03

P+T Head Side Ports G1/2" - A+B Bottom Side Ports G3/8" - 315 bar
Material Cast Iron GG25



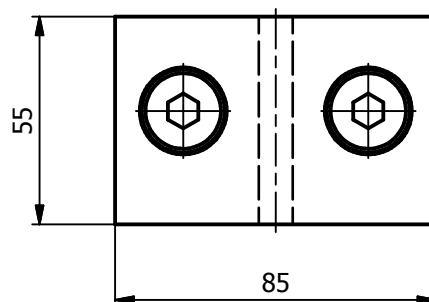
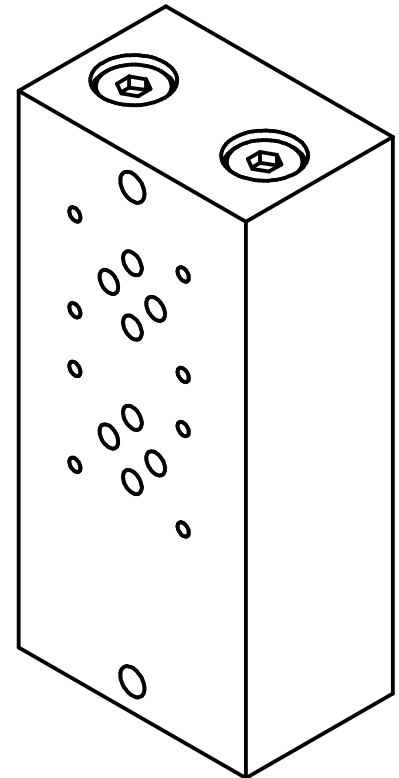
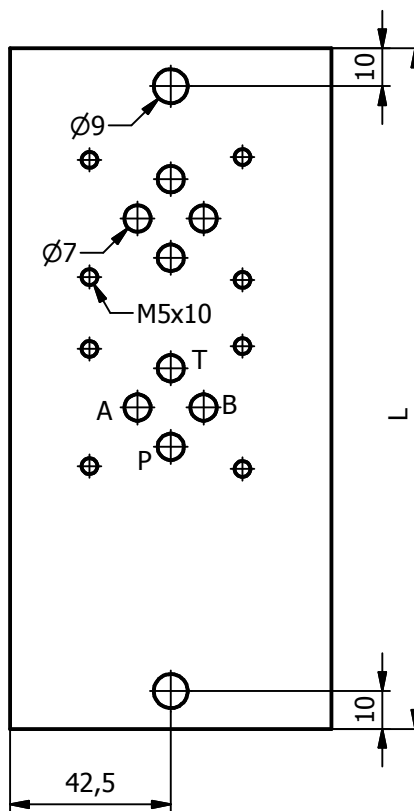
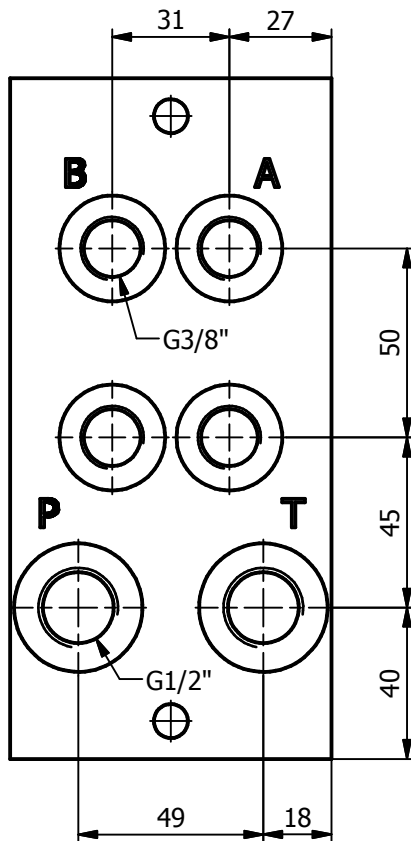
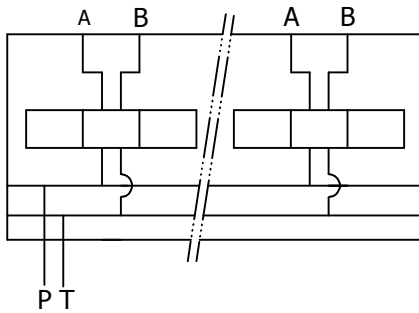
Ordernr	L=	Weight
0101.00	L=090 mm	2.7 kg
0102.00	L=140 mm	4.2 kg
0103.00	L=190 mm	5.7 kg
0104.00	L=240 mm	7.2 kg
0105.00	L=290 mm	8.7 kg
0106.00	L=340 mm	10.2 kg
0107.00	L=390 mm	11.7 kg
0108.00	L=440 mm	13.2 kg
0109.00	L=490 mm	14.7 kg
0110.00	L=540 mm	16.2 kg

Modification under reserved



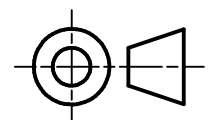
Multiple valve manifolds Size A6 DIN 24340 NG6 CETOP 03

P+T Bottom Side Ports G1/2" - A+B Bottom Side Ports G3/8" - 315 bar
Material Cast Iron GG25



Ordernr

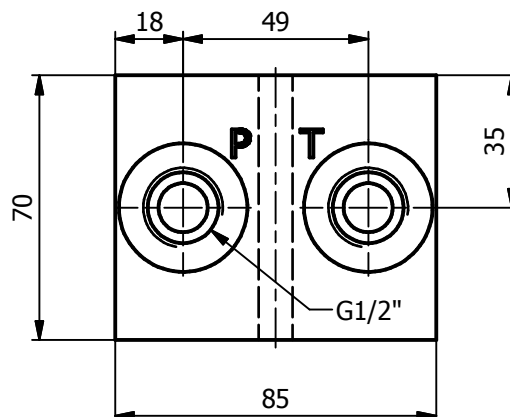
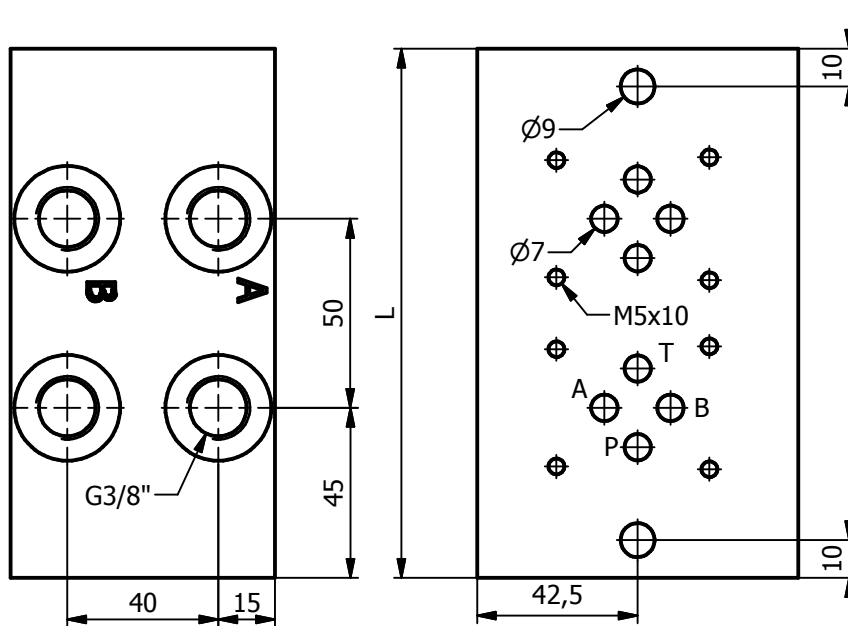
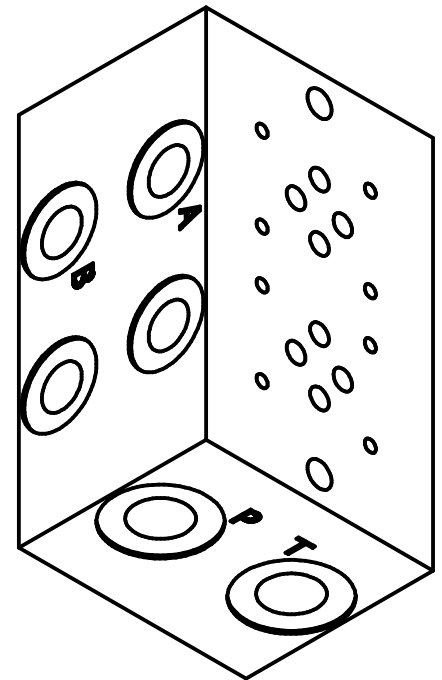
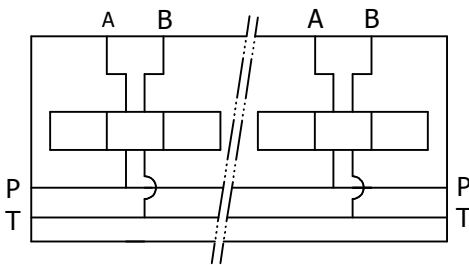
0301.00	L=130 mm	4.0 kg
0302.00	L=180 mm	5.5 kg
0303.00	L=230 mm	7.0 kg
0304.00	L=280 mm	8.5 kg
0305.00	L=330 mm	10.0 kg
0306.00	L=380 mm	11.5 kg
0307.00	L=430 mm	13.0 kg
0308.00	L=480 mm	14.5 kg
0309.00	L=530 mm	16.0 kg
0310.00	L=580 mm	17.5 kg



Modification under reserved

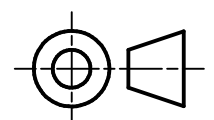
Multiple valve manifolds Size A6 DIN 24340 NG6 CETOP 03

P+T Head Side Ports G1/2" - A+B Side Ports Left G3/8" 315 bar
Material Cast Iron GG25



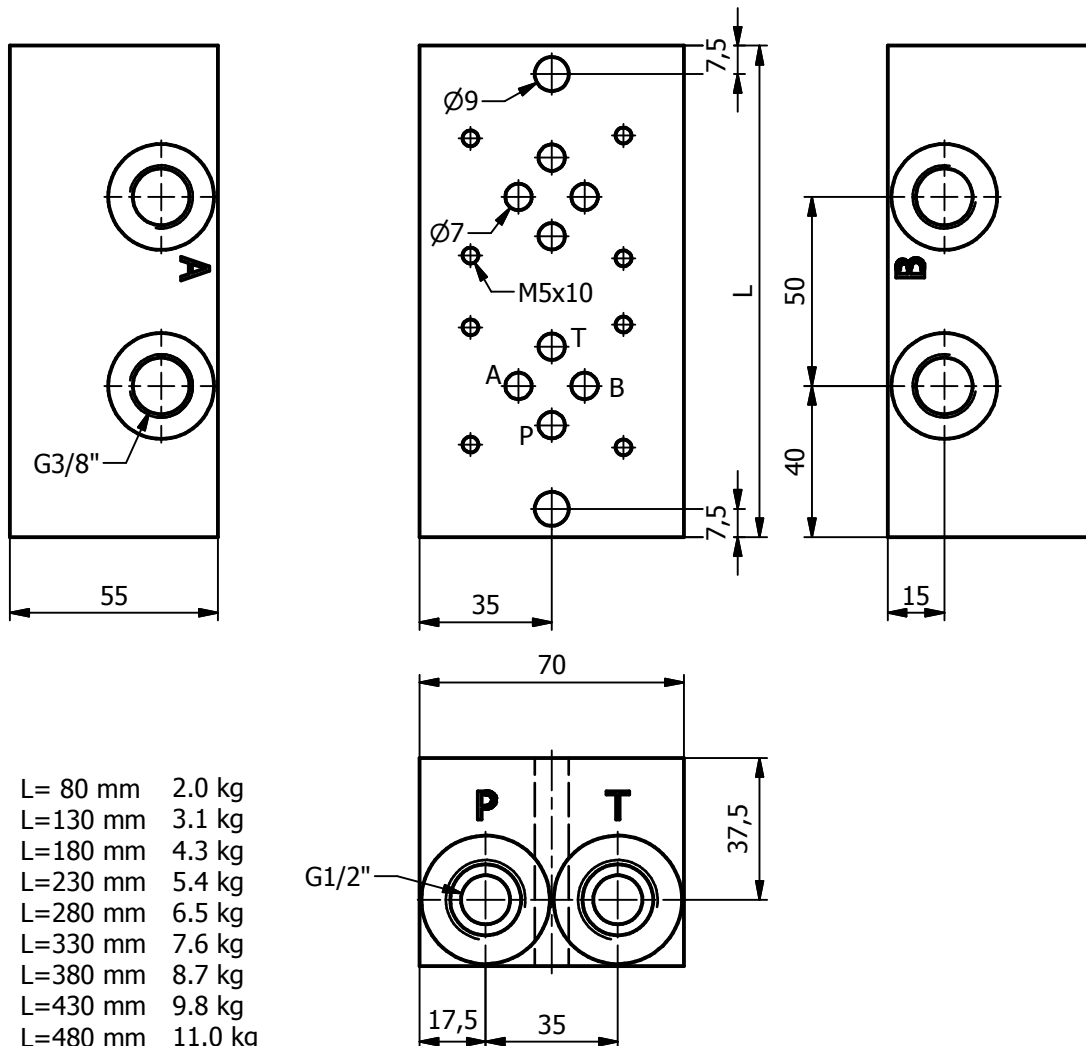
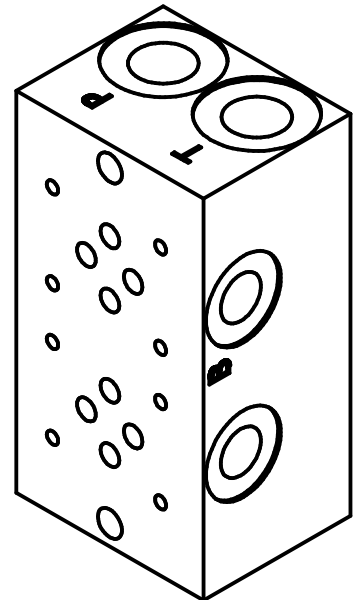
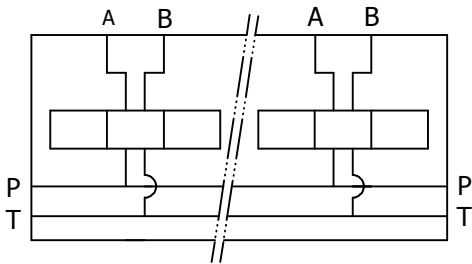
Ordernr.

0401.00	L=90 mm	3.4 kg
0402.00	L=140 mm	5.4 kg
0403.00	L=190 mm	7.3 kg
0404.00	L=240 mm	9.3 kg
0405.00	L=290 mm	11.2 kg
0406.00	L=340 mm	13.2 kg
0407.00	L=390 mm	15.1 kg
0408.00	L=440 mm	17.1 kg
0409.00	L=490 mm	19.0 kg
0410.00	L=540 mm	21.0 kg



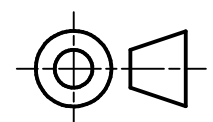
Multiple valve manifolds Size A6 DIN 24340 NG6 CETOP 03

P+T Head Side Ports G1/2" - A Side Ports Left G3/8" - B Side Ports Right G3/8" - 315 bar
Material Cast Iron GG25



Ordernr.

0601.00	L= 80 mm	2.0 kg
0602.00	L=130 mm	3.1 kg
0603.00	L=180 mm	4.3 kg
0604.00	L=230 mm	5.4 kg
0605.00	L=280 mm	6.5 kg
0606.00	L=330 mm	7.6 kg
0607.00	L=380 mm	8.7 kg
0608.00	L=430 mm	9.8 kg
0609.00	L=480 mm	11.0 kg
0610.00	L=530 mm	12.0 kg

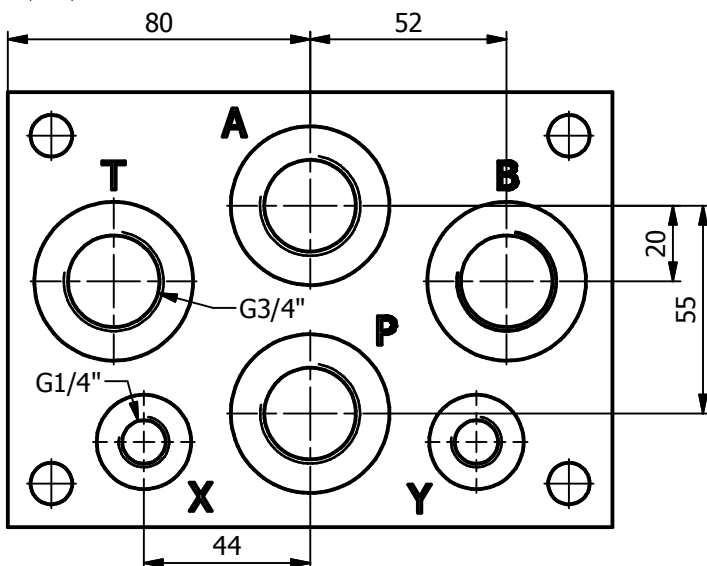
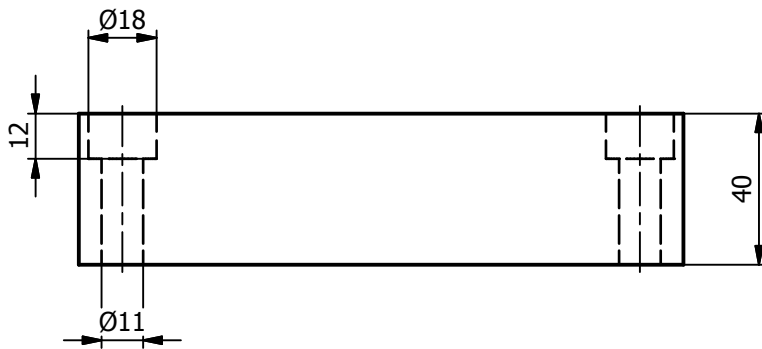
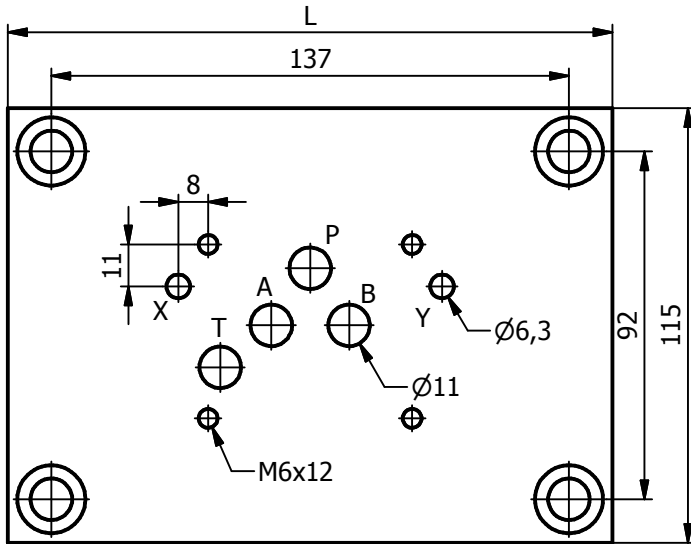
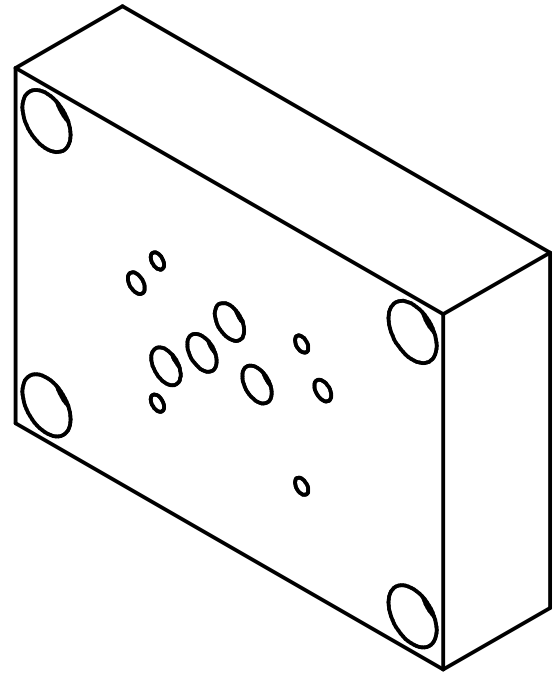


Subplates

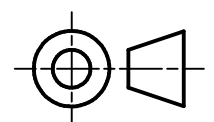
Size A10 DIN 24340 NG10 CETOP 05

P+T and A+B Bottom Side Ports G3/4" - X+Y Bottom Side Ports G1/4" 315 bar

Material Cast Iron GG25



Ordernr
0701.00 4.5 kg

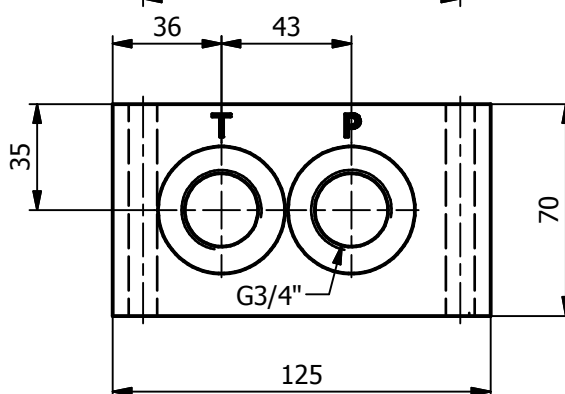
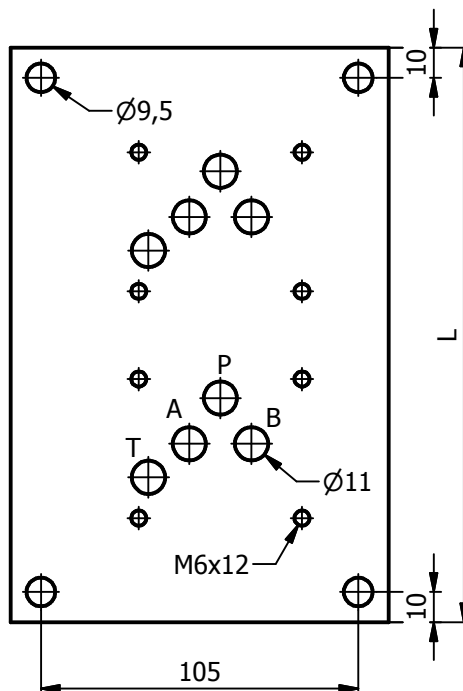
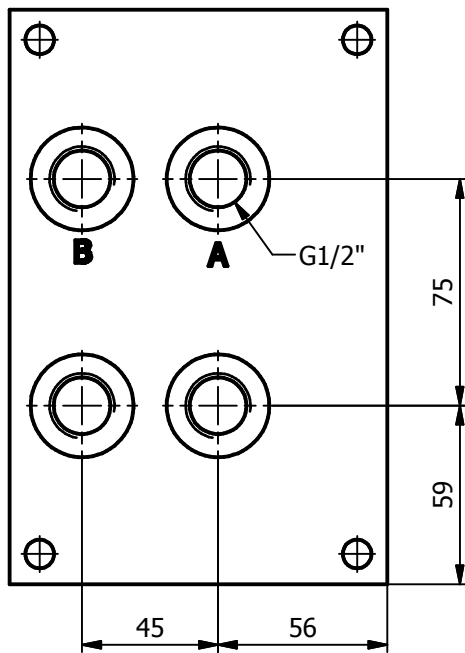
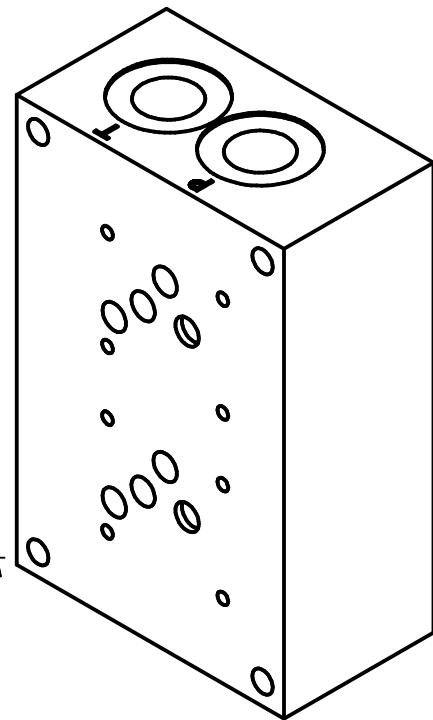
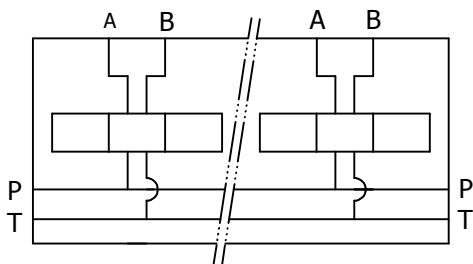


Multiple valve manifolds

Size A10 DIN 24340 NG10 CETOP 05

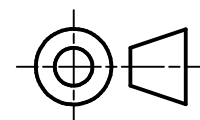
P+T Head Side Ports G3/4" - A+B Bottom Side Ports G1/2" 315 bar

Material Cast Iron GG25



Ordernr.

0801.00	L=115 mm	6.2 kg
0802.00	L=190 mm	10.5 kg
0803.00	L=265 mm	14.8 kg
0804.00	L=340 mm	19.1 kg
0805.00	L=415 mm	23.4 kg
0806.00	L=490 mm	27.7 kg
0807.00	L=565 mm	32.0 kg
0808.00	L=640 mm	36.3 kg
0809.00	L=715 mm	40.6 kg
0810.00	L=790 mm	44.9 kg

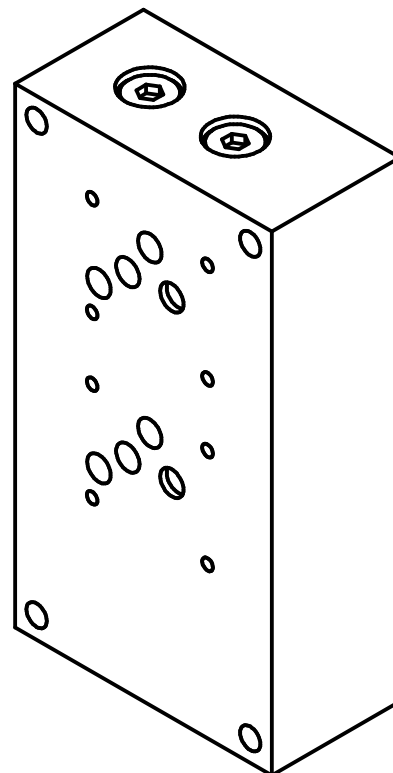
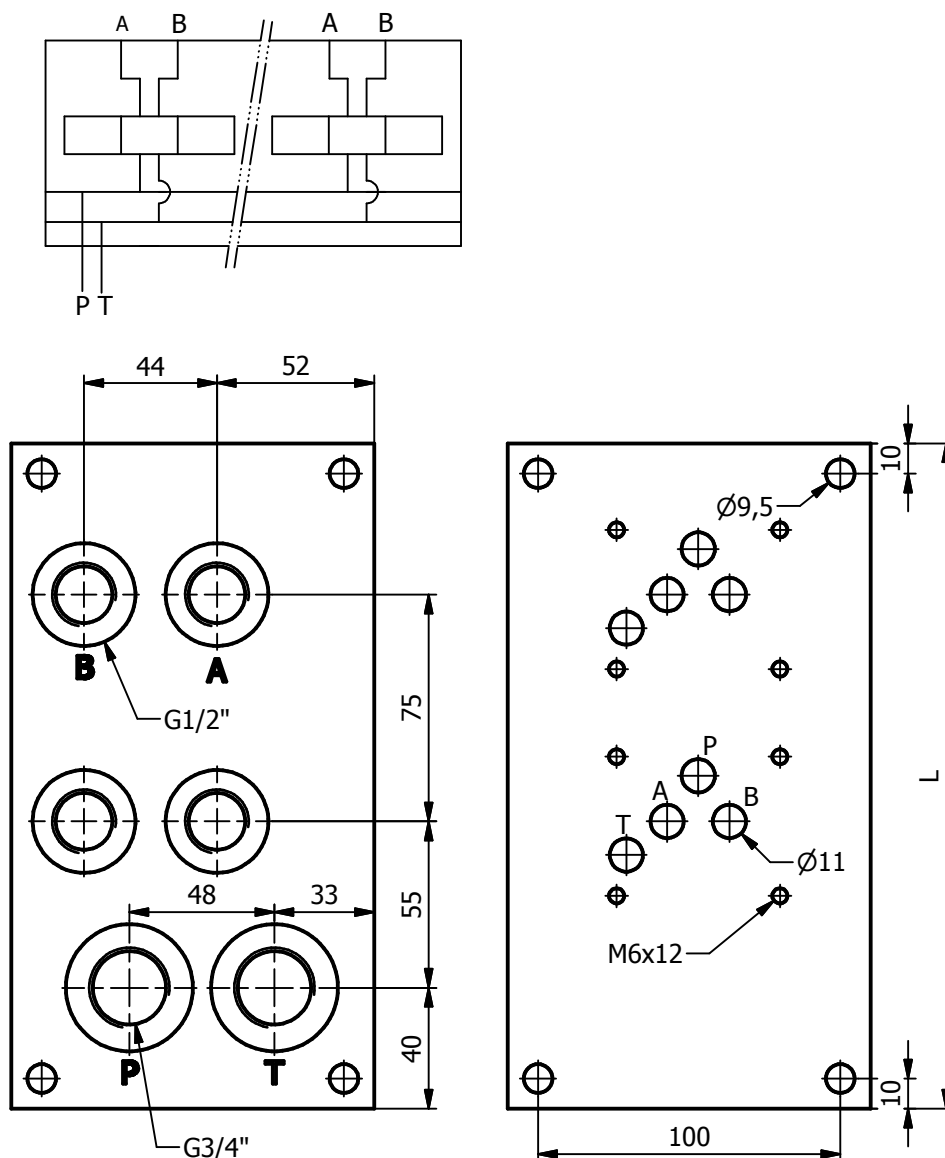


Modification under reserved

Multiple valve manifolds

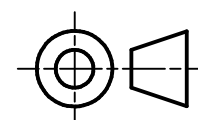
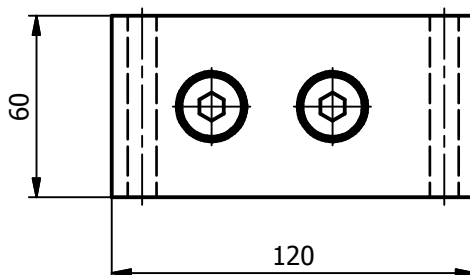
Size A10 DIN 24340 NG10 CETOP 05

P+T Bottom Side Ports G3/4" - A+B BootmSide Ports G1/2" 315 bar
Material Cast Iron GG25



Ordernr.

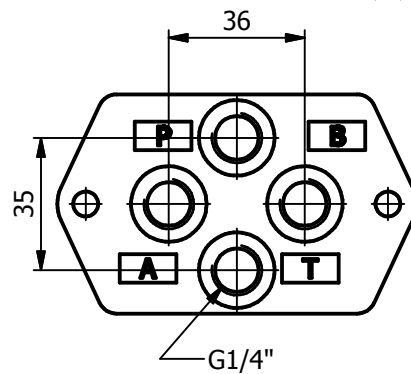
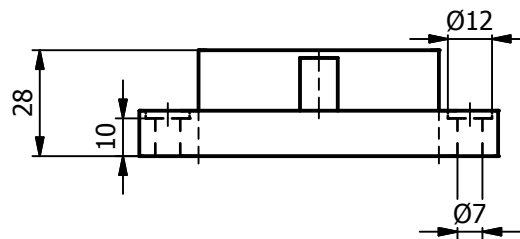
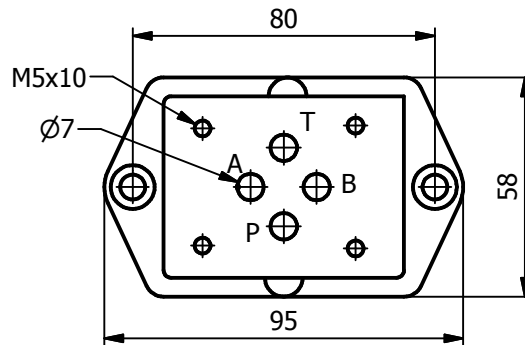
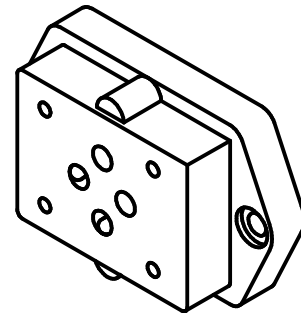
1001.00	L=145 mm	6.7 kg
1002.00	L=220 mm	10.2kg
1003.00	L=295 mm	13.7 kg
1004.00	L=370 mm	17.2 kg
1005.00	L=445 mm	20.7 kg
1006.00	L=520 mm	24.2 kg
1007.00	L=595 mm	27.7 kg
1008.00	L=670 mm	31.2 kg
1009.00	L=745 mm	34.7 kg
1010.00	L=820 mm	38.2 kg



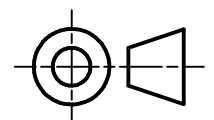
Modification under reserved

Subplates (Casting) Size A6 DIN 24340 NG6 CETOP 03

P+T and A+B Bottom Side Ports G1/4" 315 bar
Material Cast Iron GG25



Ordernr.
1101.00 0.8 kg

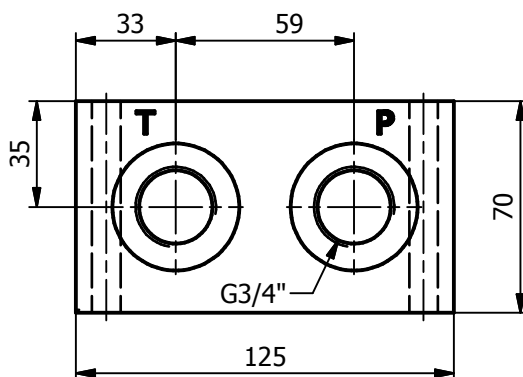
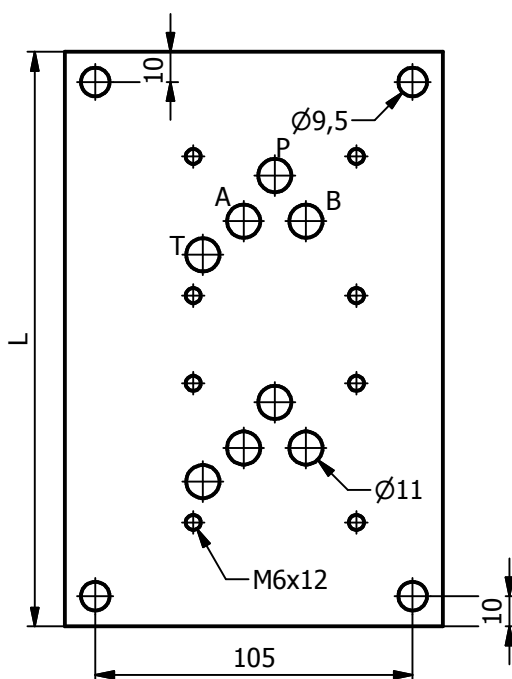
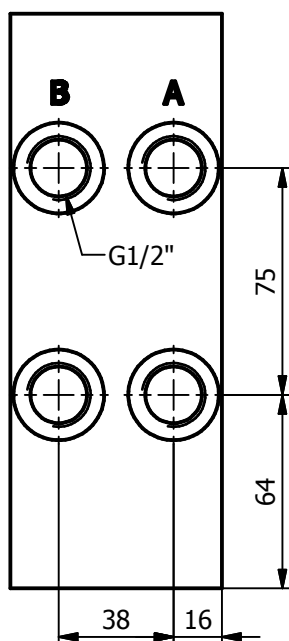
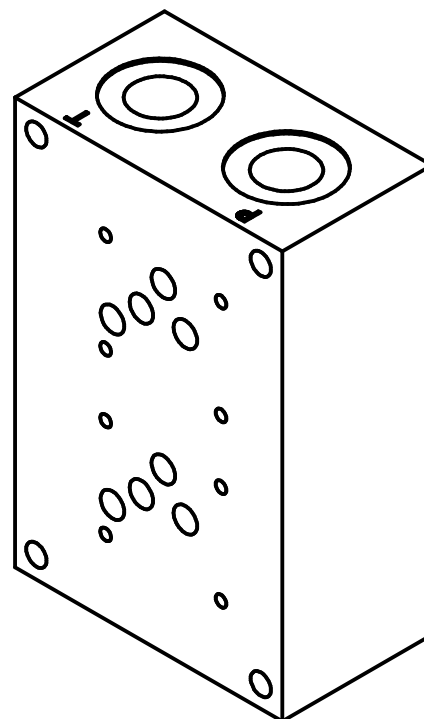
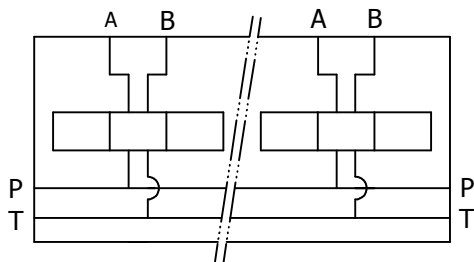


Multiple valve manifolds

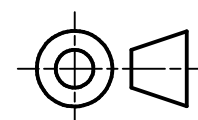
Size A10 DIN 24340 NG10 CETOP 05

P+T Head Side Ports G3/4" - A+ B Side Ports Left G1/2" 315 bar

Material Cast Iron GG25



Ordernr.	L=	Weight
1201.00	L=115 mm	6.3 kg
1202.00	L=190 mm	10.6 kg
1203.00	L=265 mm	14.9 kg
1204.00	L=340 mm	19.2 kg
1205.00	L=415 mm	23.5 kg
1206.00	L=490 mm	27.8 kg
1207.00	L=565 mm	32.1 kg
1208.00	L=640 mm	36.4 kg
1209.00	L=715 mm	40.7 kg
1210.00	L=790 mm	45.0 kg



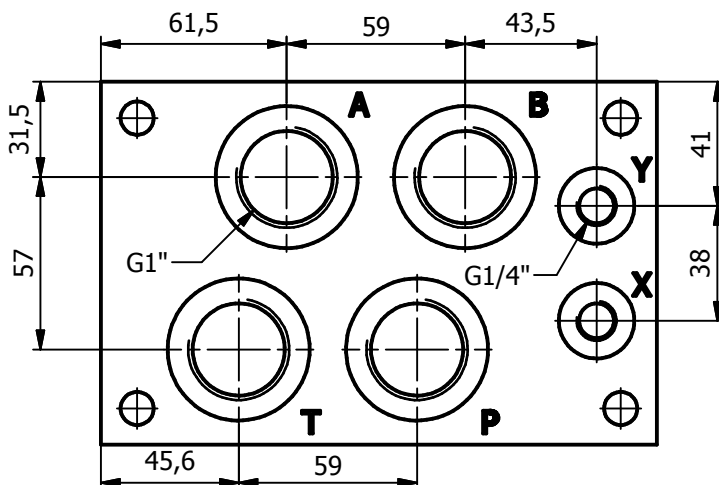
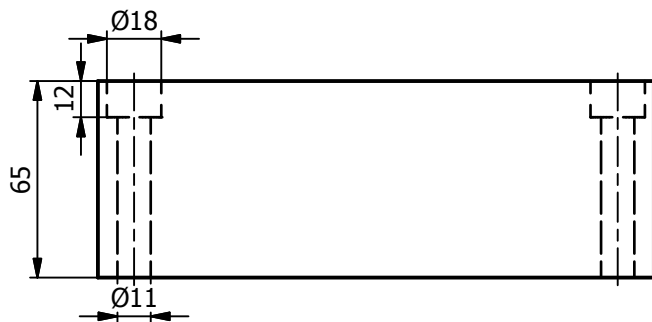
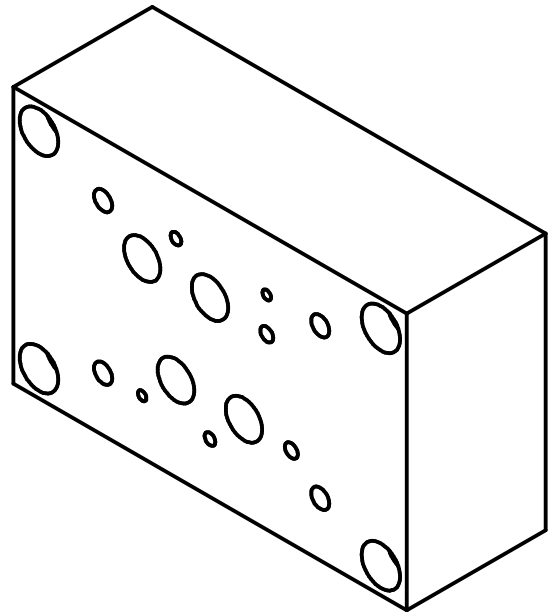
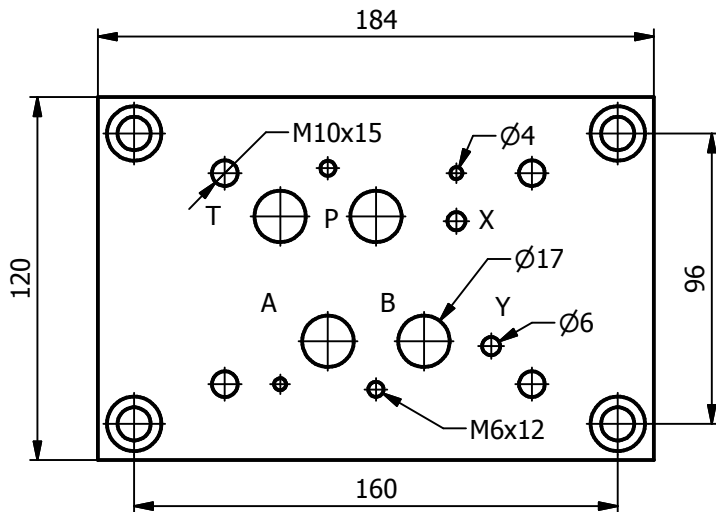
Modification under reserved

Subplates

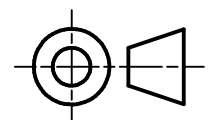
Size A16 DIN 24340 NG16 CETOP 07

P+T and A+B Bottom Side Ports 1" or G3/4" and X+ Y Bottom Side Ports G1/4" 315 bar

Material Cast Iron GG25



Ordernr.
1401.00 G1" 9.0 kg
1401.01 G3/4" 9.0 kg

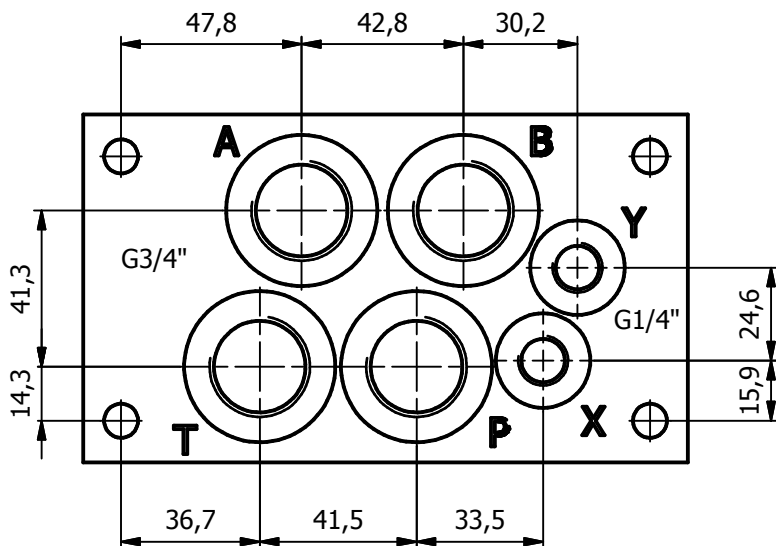
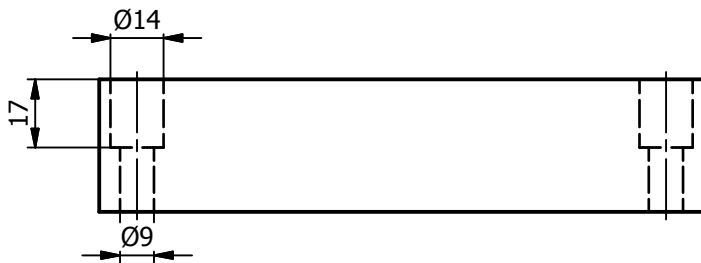
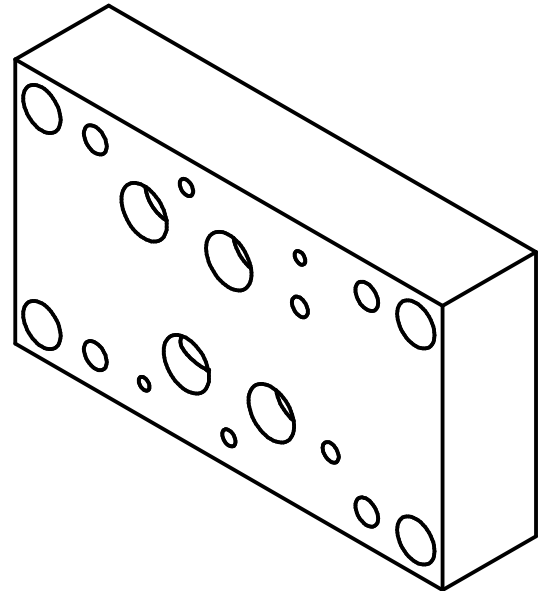
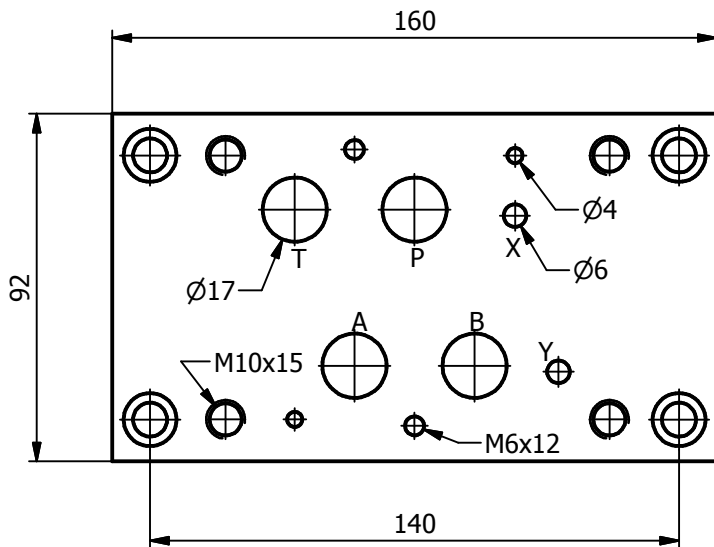


Subplates

Size A16 DIN 24340 NG16 CETOP 07

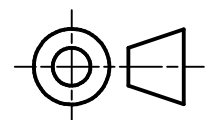
P+T and A+ B Bottom Side Ports G3/4" and X+Y Bottom Side Ports G1/4" 315 bar

Material Cast Iron GG25



Ordernr. 1401.02 5.0 kg

If necessary with drain

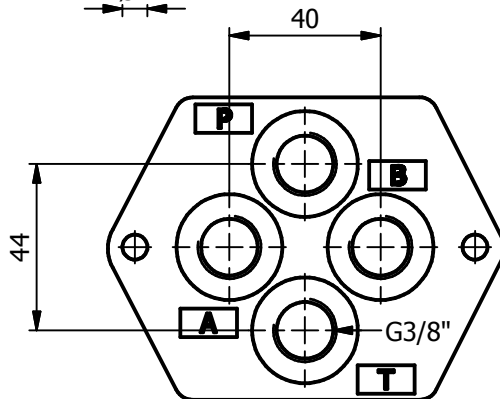
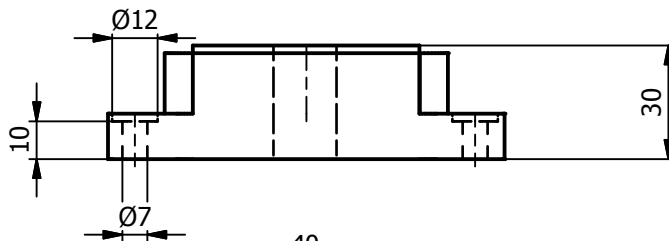
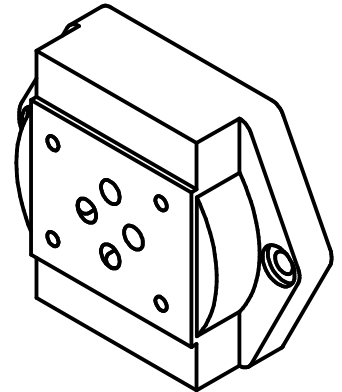
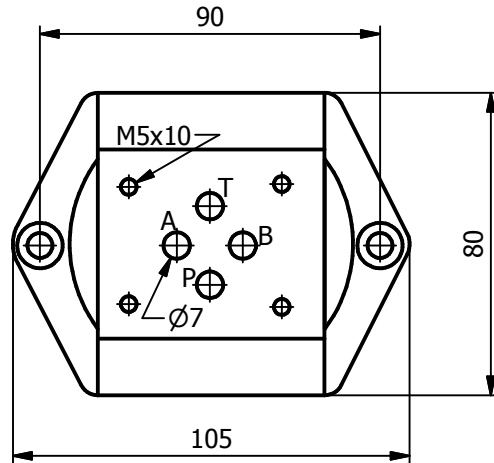


Subplates (Casting)

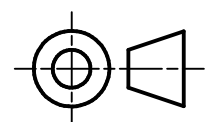
Size A6 DIN 24340 NG6 CETOP 03

P+T and A+B Bottom Side Ports G1/4", G3/8" or M18x1,5 315 bar

Material Cast Iron GG25



Ordernr.	Port Size	Weight
1501.00	G1/4"	1.0 kg
1501.01	G3/8"	1.0 kg
1501.02	M18x1,5	1.0 kg

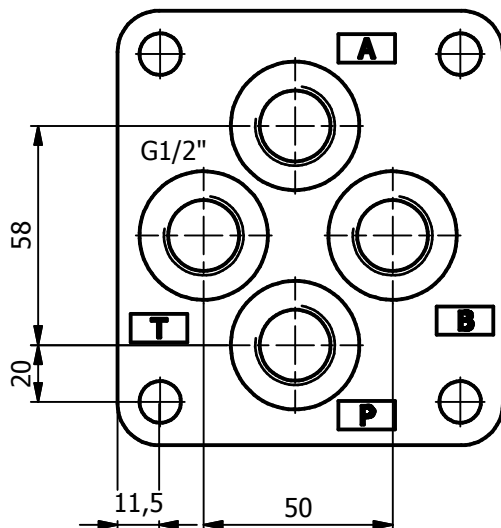
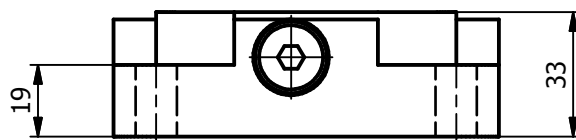
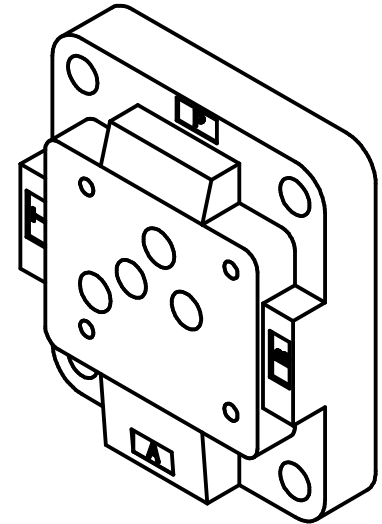
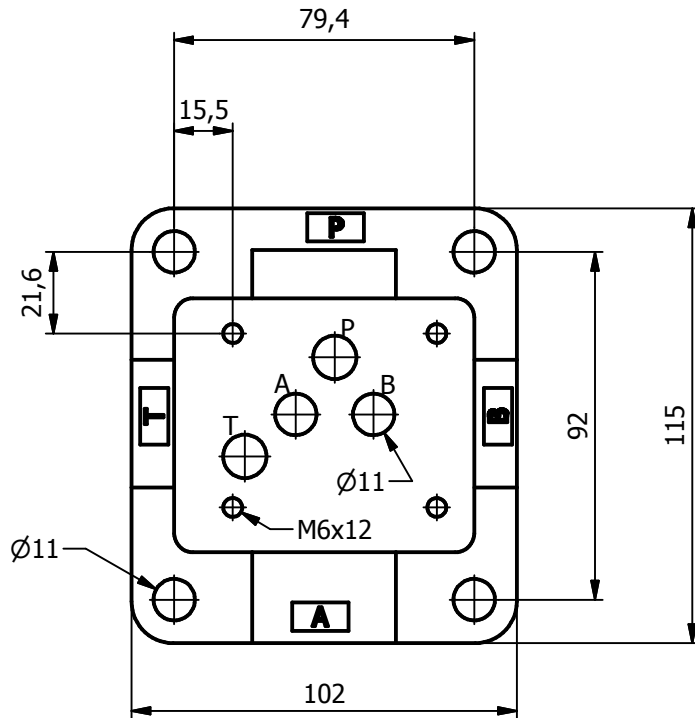


Subplates (Casting)

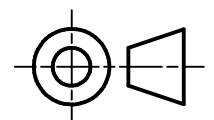
Size A10 DIN 24340 NG10 CETOP 05

P+T and A+B Bottom Side Ports G1/2" or M18x1,5 315 bar

Material Cast Iron GG25



Ordernr.		
1601.00	G1/2"	2.0 kg
1601.01	M18x1,5	2.0 kg

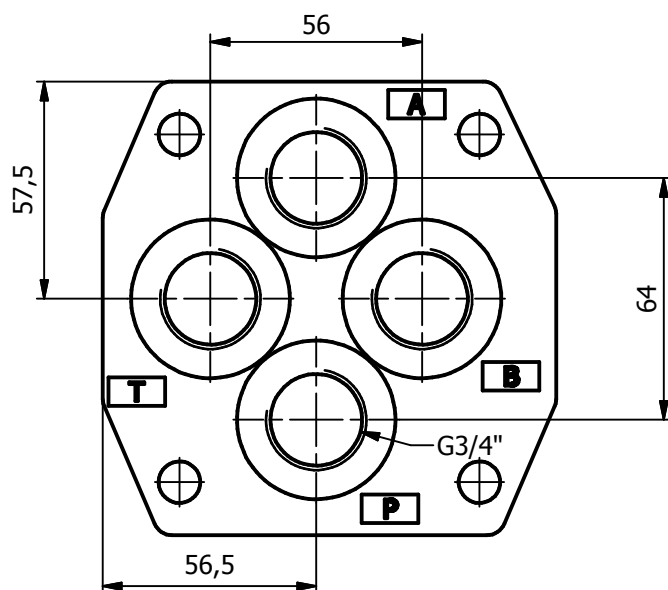
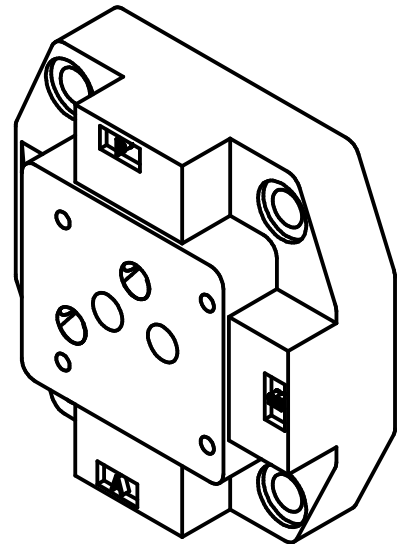
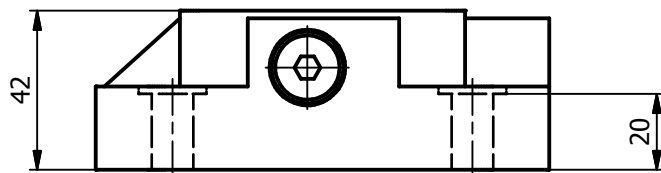
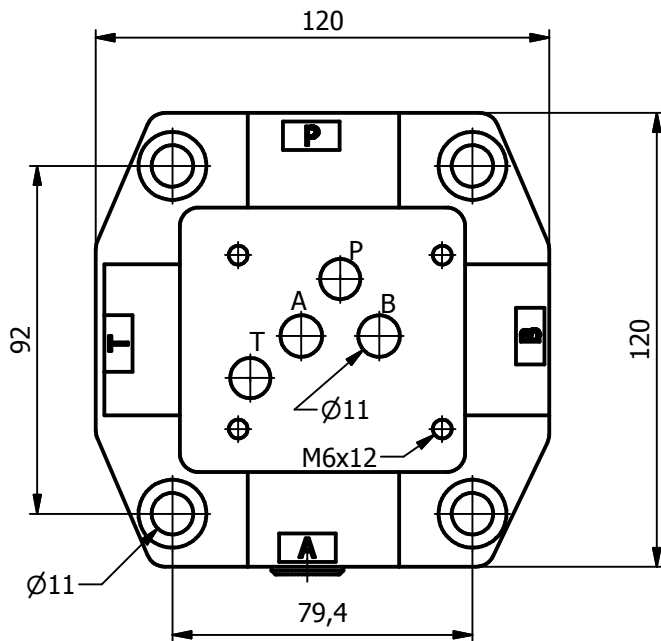


Subplates (Casting)

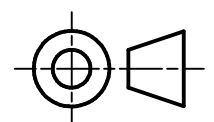
Size A10 DIN 24340 NG10 CETOP 05

P+T and A+B Bottom Side Ports G3/4" 315 bar

Material Cast Iron GG25



Ordernr. 1701.00 G3/4" 2.7 kg

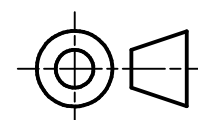
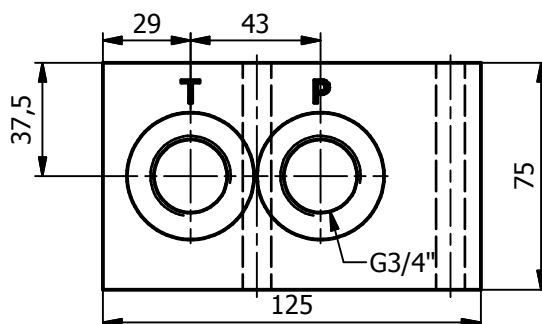
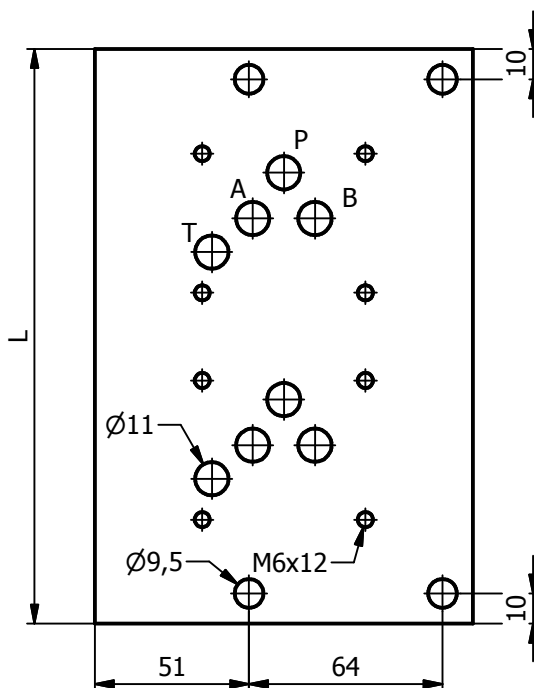
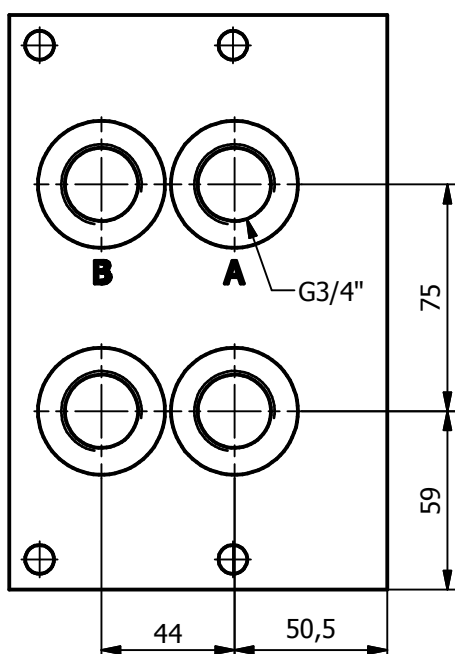
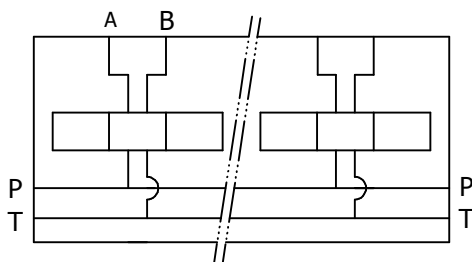
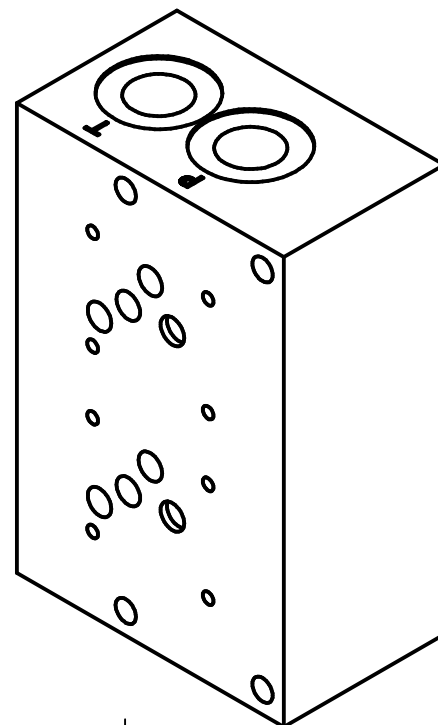


Multiple valve manifolds

Size A10 DIN 24340 NG10 CETOP 05

P+T Head Side Ports G3/4" - A+B Bottom Side Ports G3/4" 315 bar

Material Cast Iron GG25



Ordernr.

1801.00	L=115 mm	6.7 kg
1802.00	L=190 mm	11.3 kg
1803.00	L=265 mm	15.9 kg
1804.00	L=340 mm	20.5 kg
1805.00	L=415 mm	25.1 kg
1806.00	L=490 mm	29.7 kg
1807.00	L=565 mm	34.3 kg
1808.00	L=640 mm	38.9 kg
1809.00	L=715 mm	43.5 kg
1810.00	L=790 mm	48.1 kg

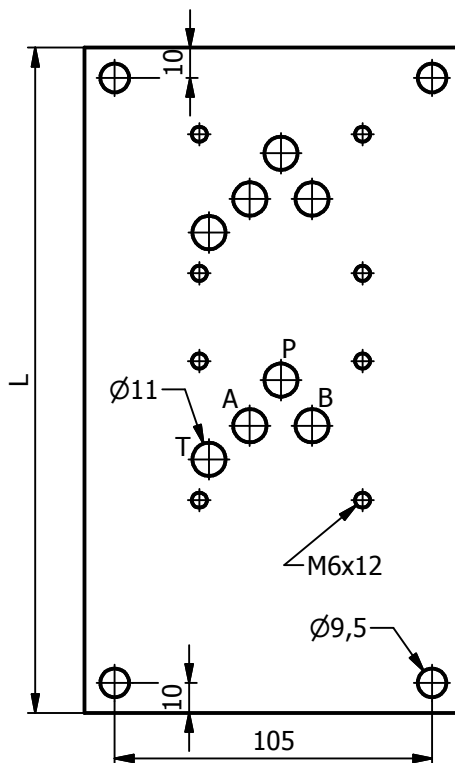
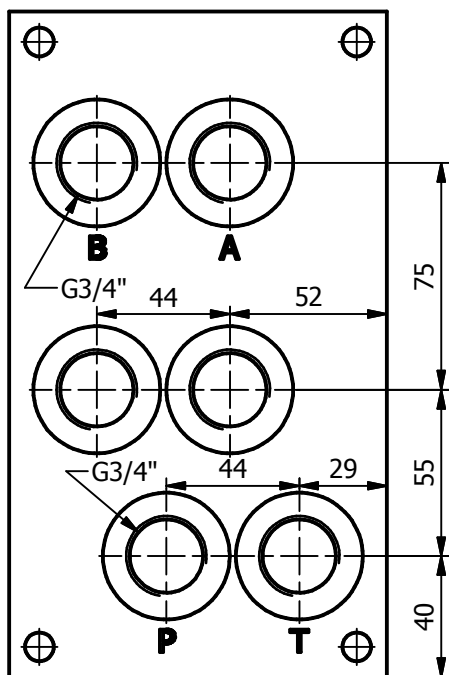
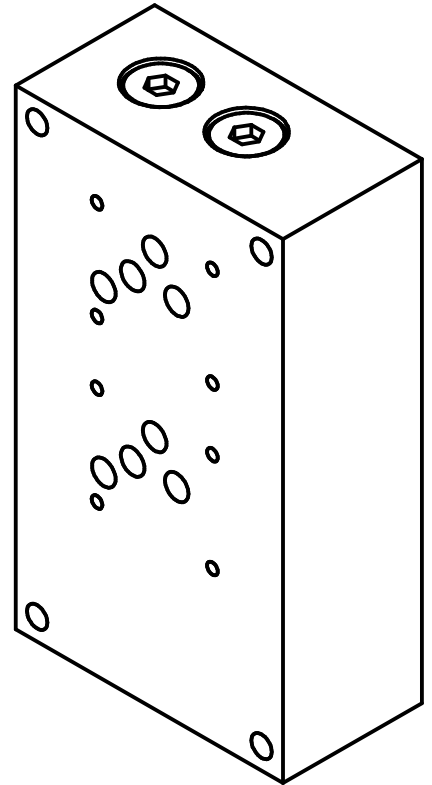
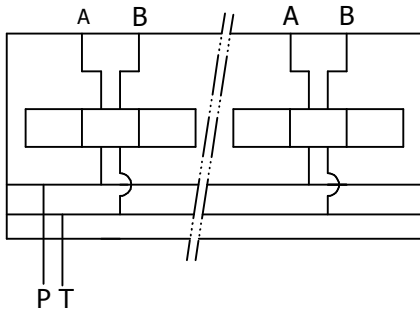
Modification under reserved

Multiple valve manifolds

Size A10 DIN 24340 NG10 CETOP 05

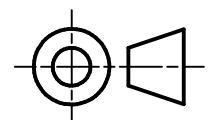
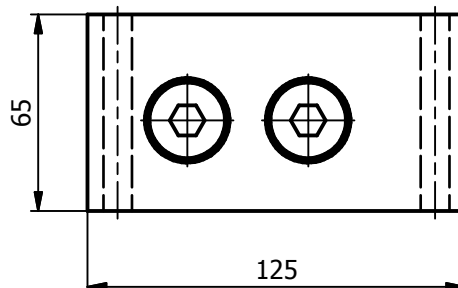
P+T Bottom Side Ports G3/4" - A+B Bottom Side Ports G3/4" 315 bar

Material Cast Iron GG25



Ordernr.

1901.00	L=145 mm	7.6 kg
1902.00	L=220 mm	11.5 kg
1903.00	L=295 mm	15.4 kg
1904.00	L=370 mm	19.3 kg
1905.00	L=445 mm	23.2 kg
1906.00	L=520 mm	27.1 kg
1907.00	L=595 mm	31.0 kg
1908.00	L=670 mm	34.9 kg
1909.00	L=745 mm	38.8 kg
1910.00	L=820 mm	42.7 kg

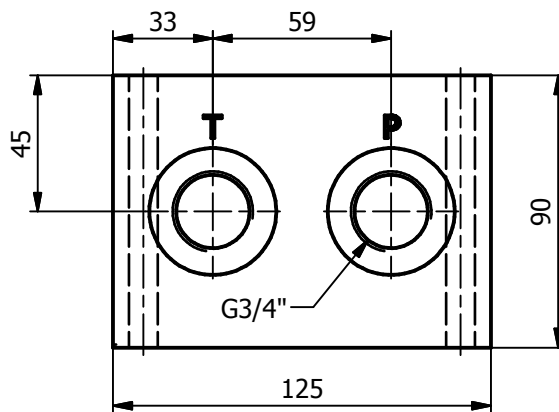
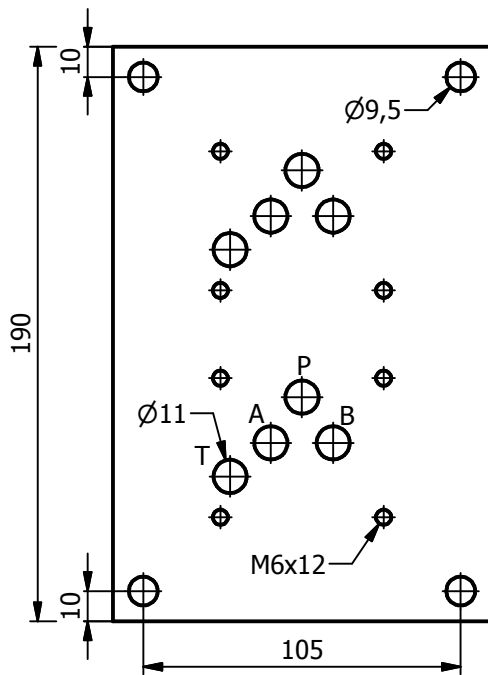
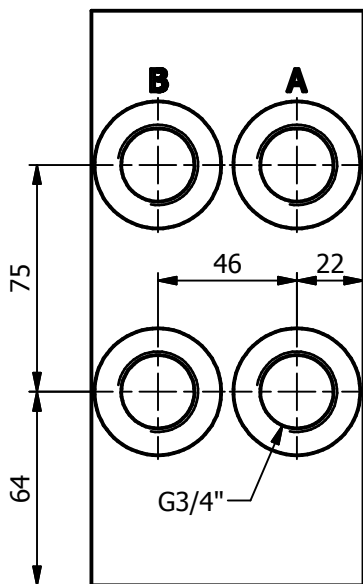
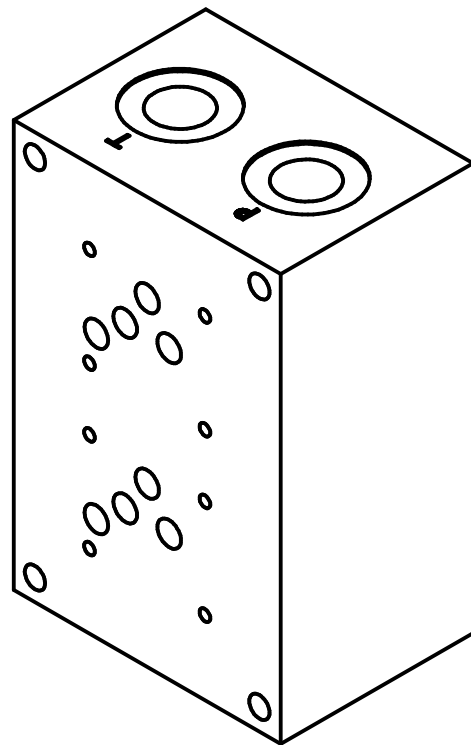
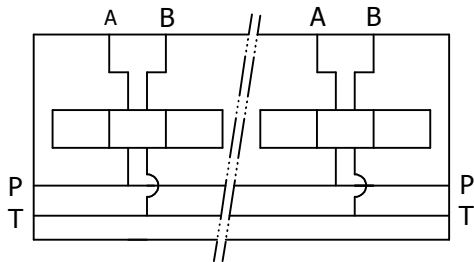


Modification under reserved

Multiple valve manifolds

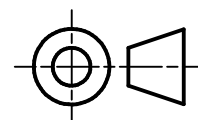
Size A10 DIN 24340 NG10 CETOP 05

P+T Head Side Ports G3/4" - A+B Side Ports Left G3/4" 315 bar
Material Cast Iron GG25



Ordernr.	Length	Weight
2001.00	L=115 mm	8.3 kg
2002.00	L=190 mm	13.7 kg
2003.00	L=265 mm	19.1 kg
2004.00	L=340 mm	24.5 kg
2005.00	L=415 mm	29.9 kg
2006.00	L=490 mm	35.3 kg
2007.00	L=565 mm	40.7 kg
2008.00	L=640 mm	46.1 kg
2009.00	L=715 mm	51.5 kg
2010.00	L=790 mm	56.9 kg

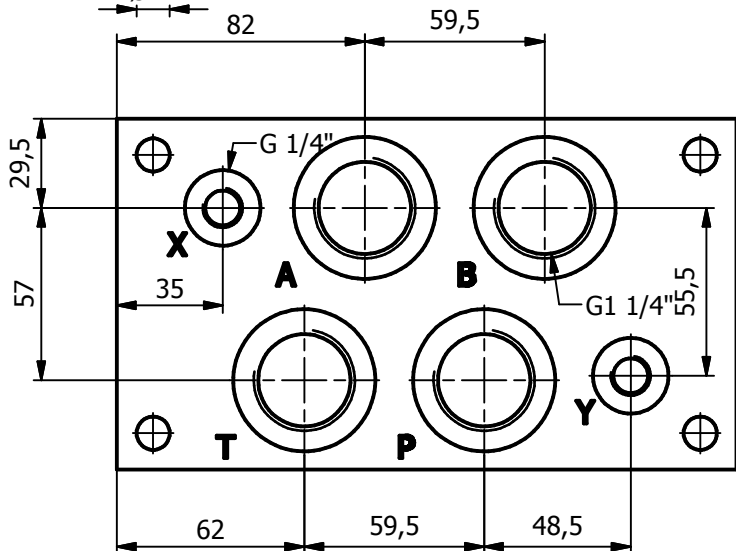
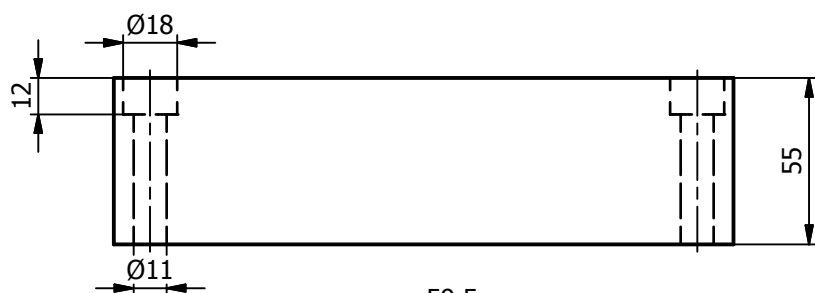
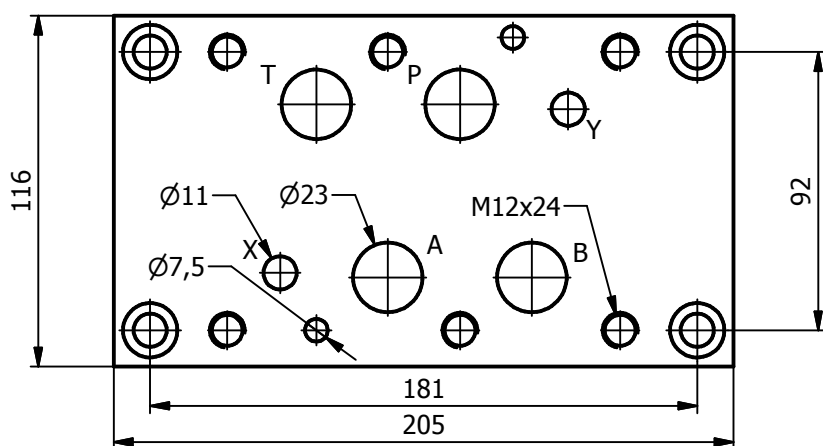
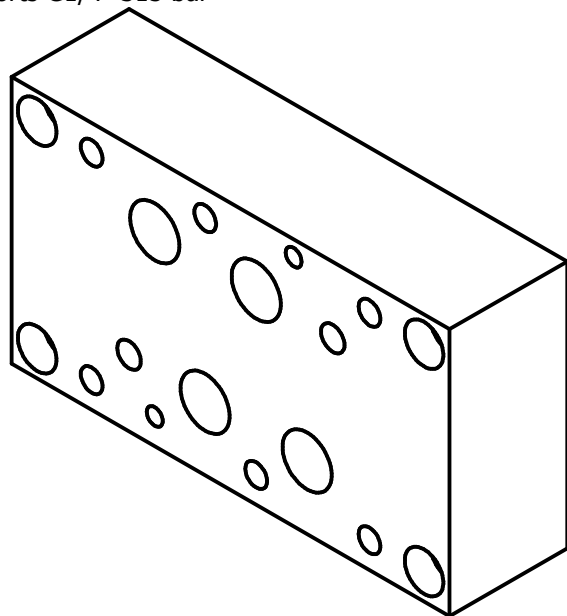
Modification under reserved



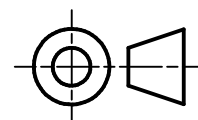
Subplates

Size A25 DIN 24340 NG25 CETOP 08

P+T and A+B Bottom Side Ports G1 1/4" or G1" and X+Y Bottom Side Ports G1/4" 315 bar
Material Cast Iron GG25



Ordernr.	Port Size	Weight
2101.00	G1 1/4"	8.0 kg
2101.01	G1"	8.0 kg

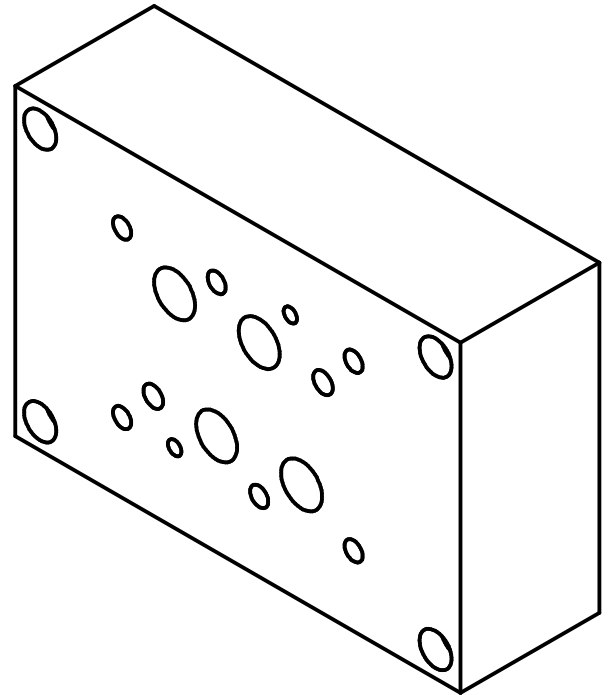
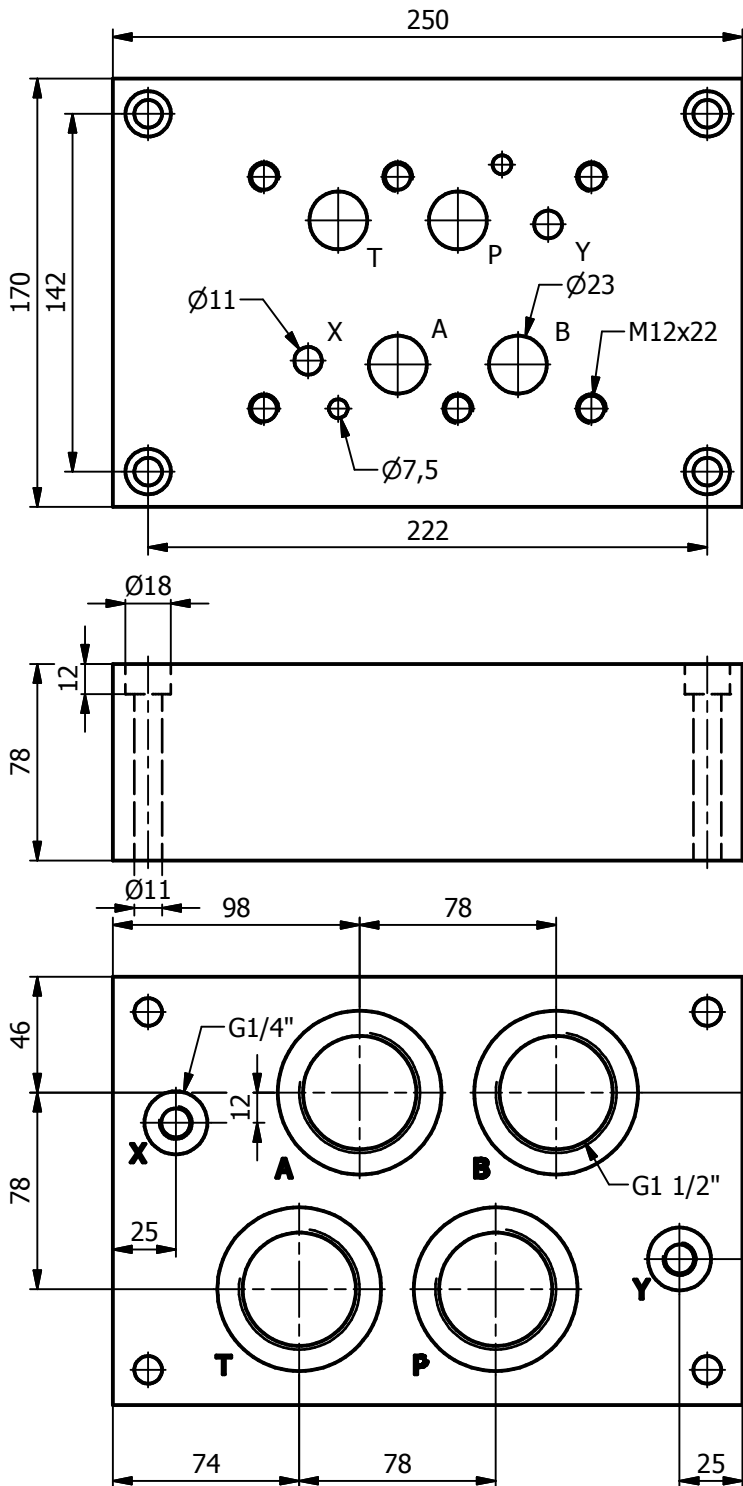


Subplates

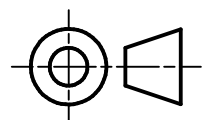
Size A25 DIN 24340 NG25 CETOP 08

P+T and A+B Bottom Side Ports G1 1/2" or G1 1/4" and X+Y Bottom Side Ports G1/4" 315 bar

Material Cast Iron GG25



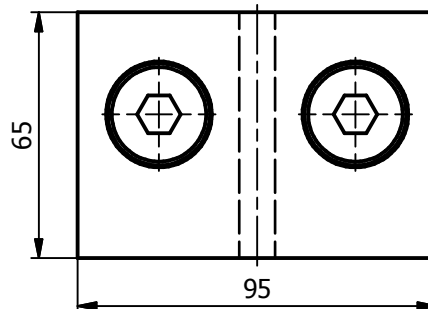
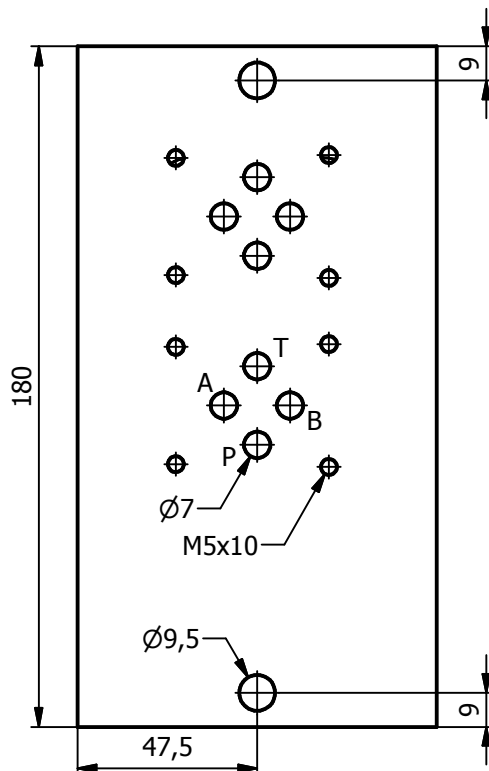
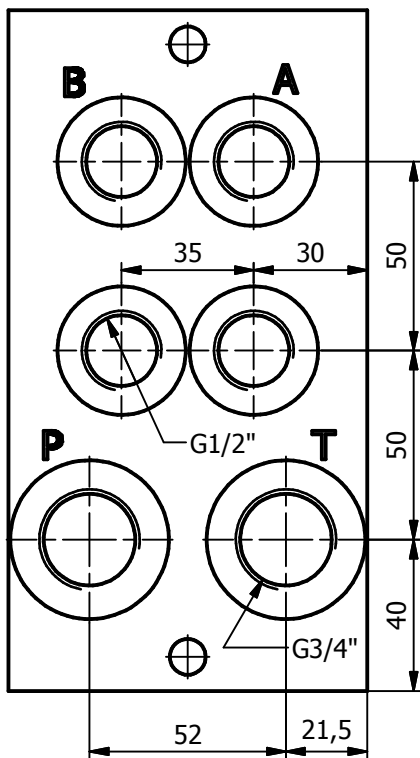
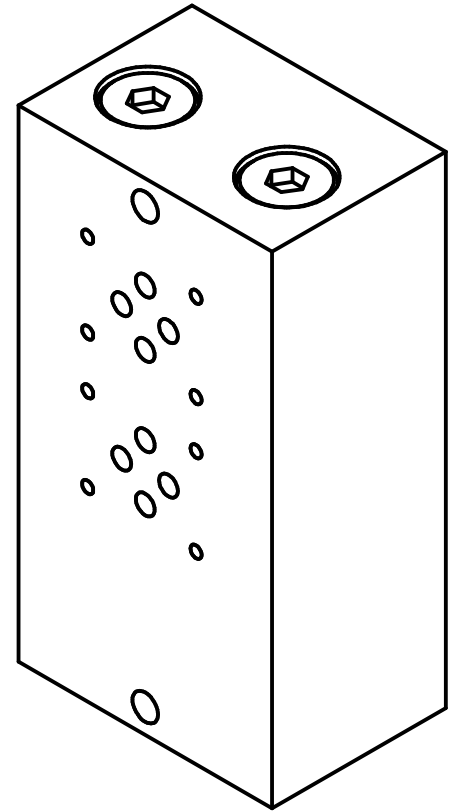
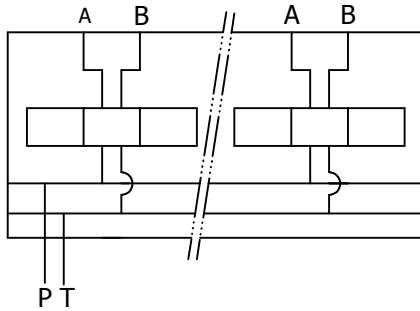
Ordernr.		
2201.00	G1 1/2"	21.0 kg
2201.01	G1 1/4"	21.1 kg



Multiple valve manifolds

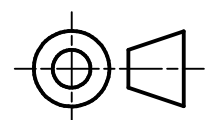
Size A6 DIN 24340 NG6 CETOP 03

P+T Bottom Side Ports G3/4" - A+B Bottom Side Ports G1/2" 315 bar
Material Cast Iron GG25



Ordernr.

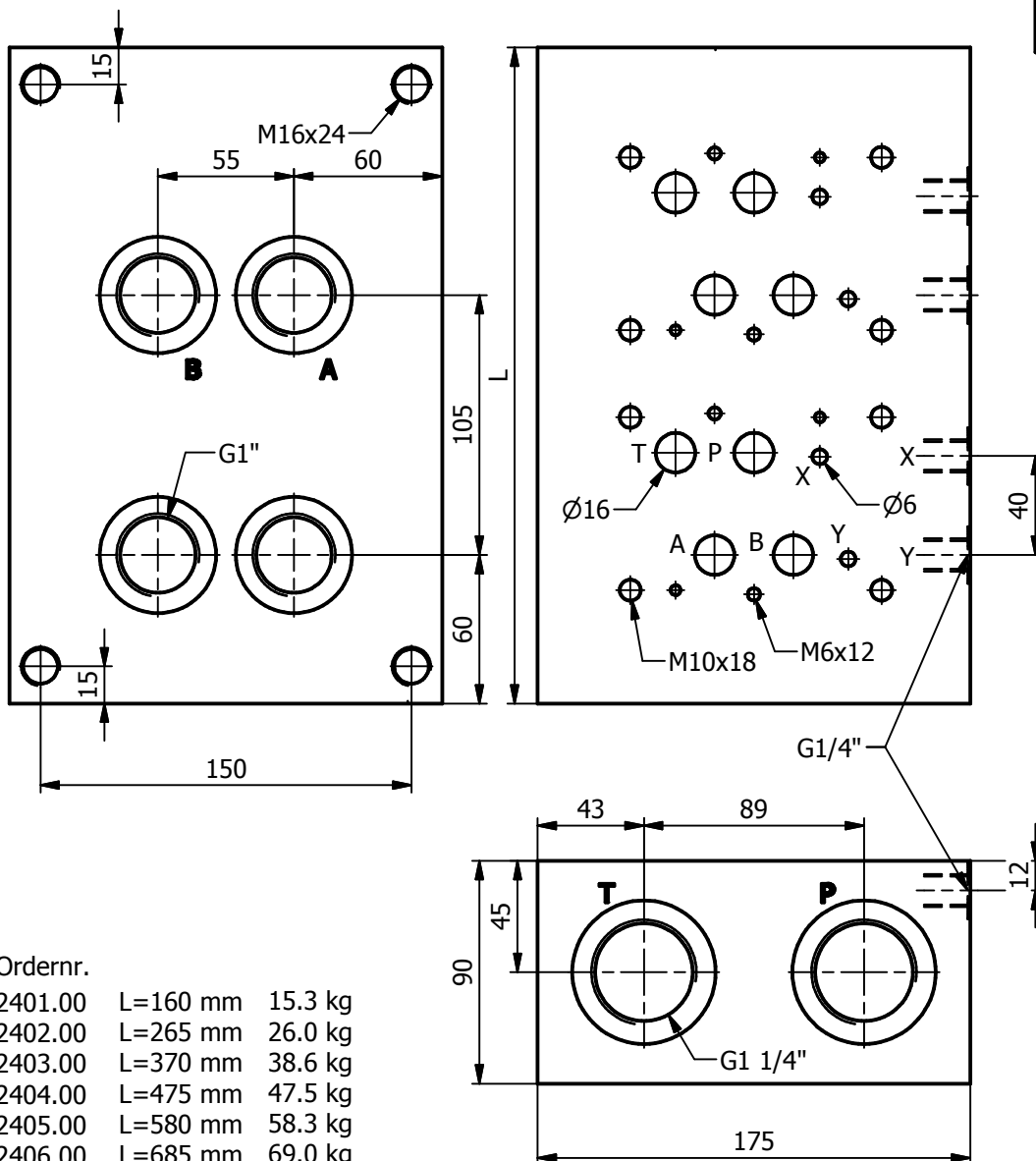
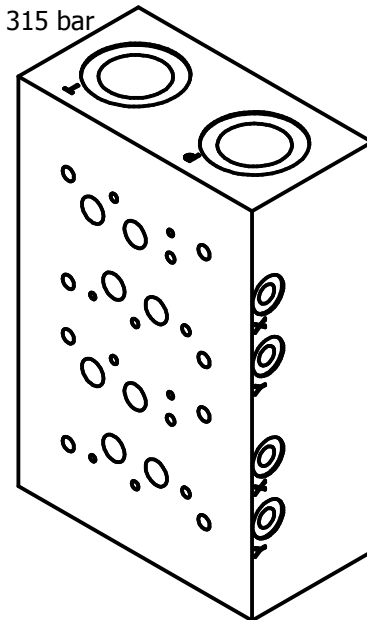
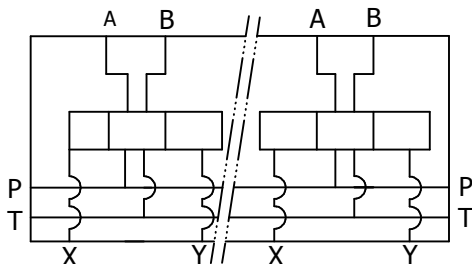
2301.00	L=135 mm	5.3 kg
2302.00	L=185 mm	7.3 kg
2303.00	L=235 mm	9.3 kg
2304.00	L=285 mm	11.3 kg
2305.00	L=335 mm	13.3 kg
2306.00	L=385 mm	15.2 kg
2307.00	L=435 mm	17.2 kg
2308.00	L=485 mm	19.2 kg
2309.00	L=535 mm	21.2 kg
2310.00	L=585 mm	23.2 kg



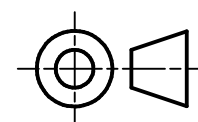
Multiple valve manifolds

Size A16 DIN 24340 NG16 CETOP 07

P+T Head Side Ports G1 1/4" - A+B Bottom Side Ports G1" - X+Y Side Ports Right G1/4" 315 bar
Material Cast Iron GG25

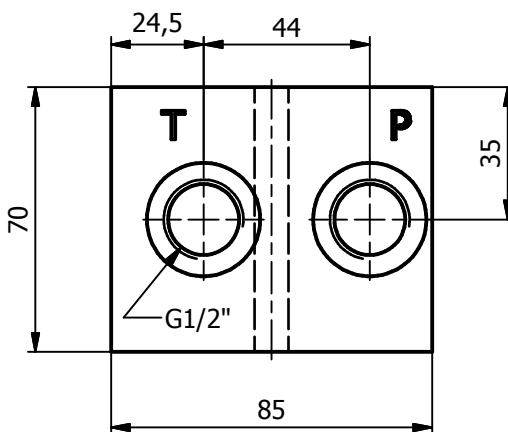
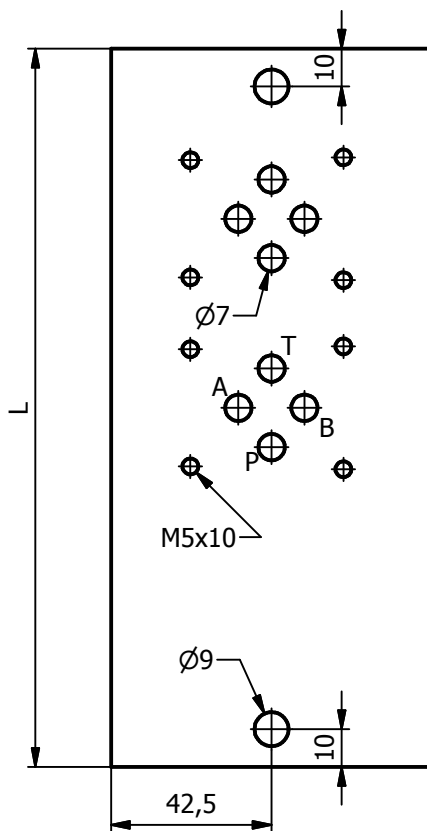
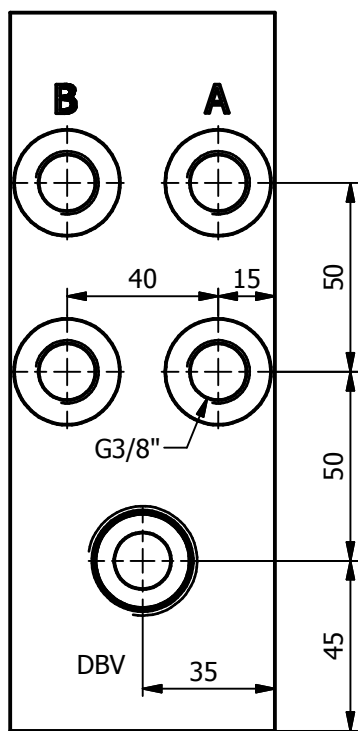
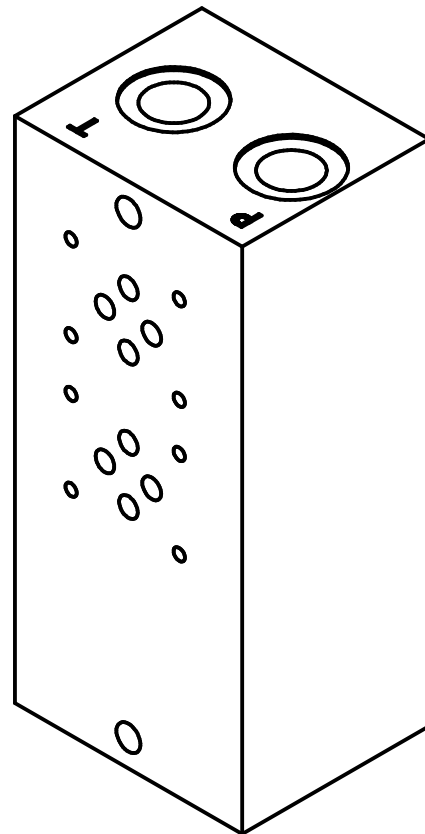
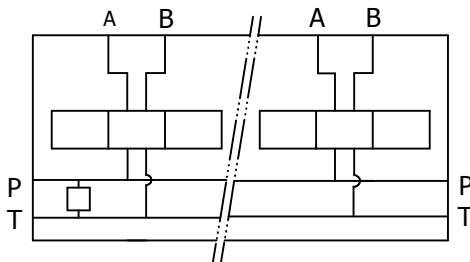


Ordernr.	L=	Weight
2401.00	L=160 mm	15.3 kg
2402.00	L=265 mm	26.0 kg
2403.00	L=370 mm	38.6 kg
2404.00	L=475 mm	47.5 kg
2405.00	L=580 mm	58.3 kg
2406.00	L=685 mm	69.0 kg



Multiple valve manifolds, Incl. Cavity for Pressure Valve Size A6 DIN 24340 NG6 CETOP 03

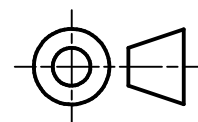
P+T Head Side Ports G1/2" - A+B Side Ports Left G3/8" 315 bar
Material Cast Iron GG25



Ordernr.	L=	kg
2501.00	140 mm	5.4 kg
2502.00	190 mm	7.3 kg
2503.00	240 mm	9.1 kg
2504.00	290 mm	11.0 kg
2505.00	340 mm	12.9 kg
2506.00	390 mm	14.7 kg
2507.00	440 mm	16.6 kg
2508.00	490 mm	18.5 kg
2509.00	540 mm	20.3 kg
2510.00	590 mm	22.2 kg

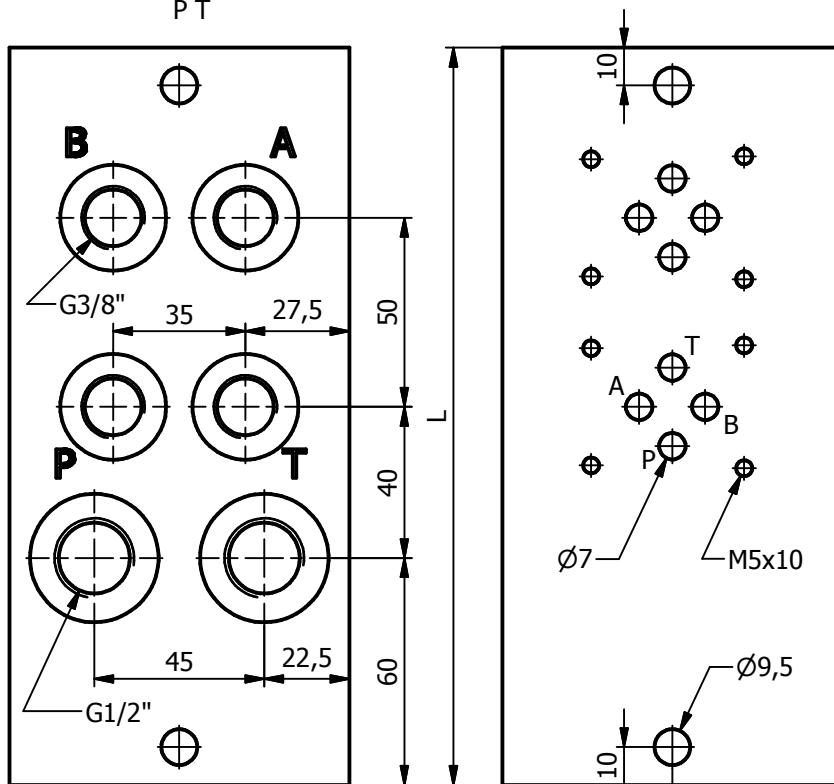
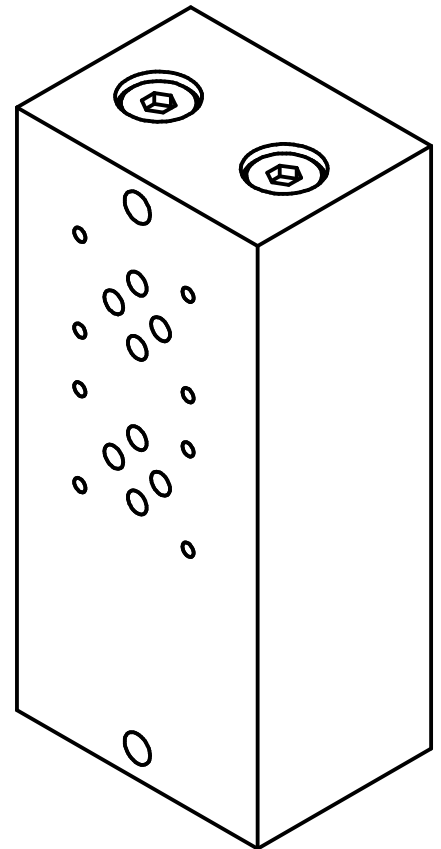
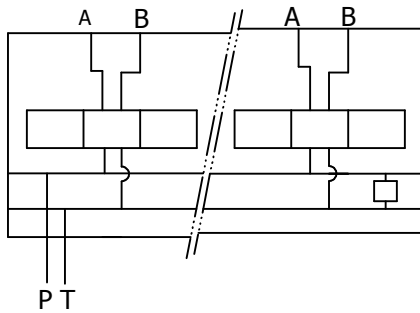
DBV = Bosch M30 x 1,5

Modification under reserved



Multiple valve manifolds, Incl. Cavity for Pressure Valve Size A6 DIN 24340 NG6 CETOP 03

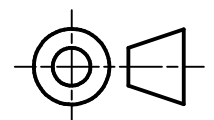
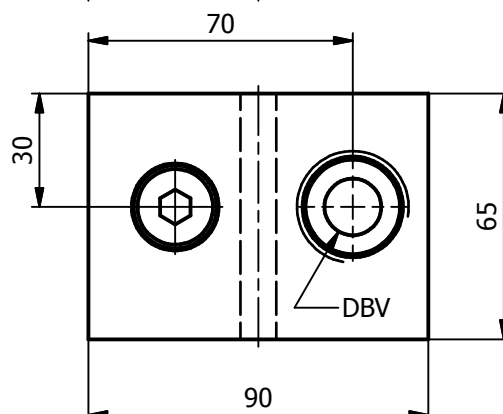
P+T Bottom Side Ports G1/2" - A+B Bottom Side Ports G3/8" 315 bar
Material Cast Iron GG25



Ordernr.

2601.00	L=145 mm	5.5 kg
2602.00	L=195 mm	7.4 kg
2603.00	L=245 mm	9.2 kg
2604.00	L=295 mm	11.1 kg
2605.00	L=345 mm	13.0 kg
2606.00	L=395 mm	14.8 kg
2607.00	L=445 mm	16.7 kg
2608.00	L=495 mm	18.6 kg
2609.00	L=545 mm	20.4 kg
2610.00	L=595 mm	22.3 kg

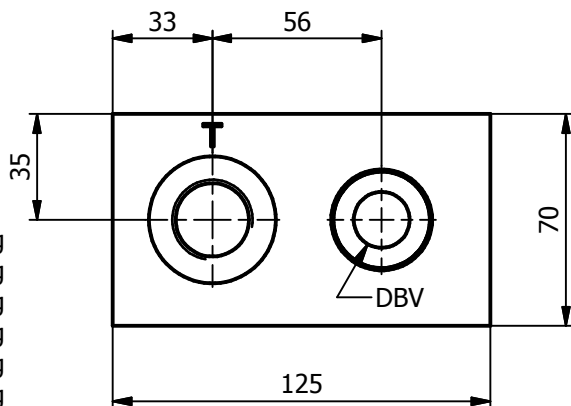
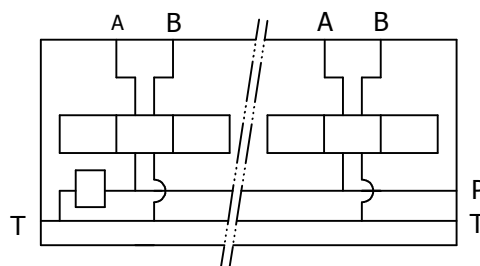
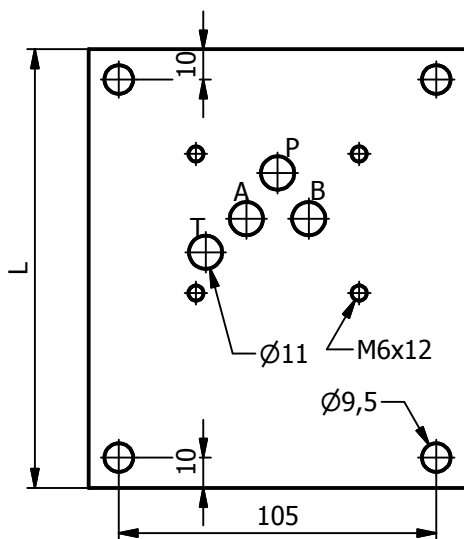
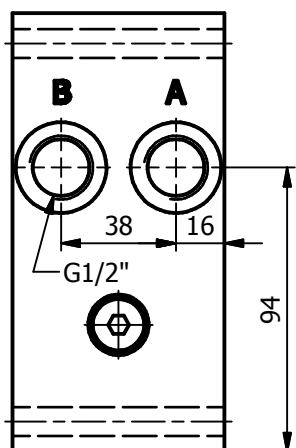
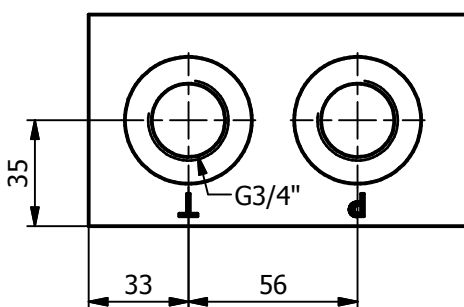
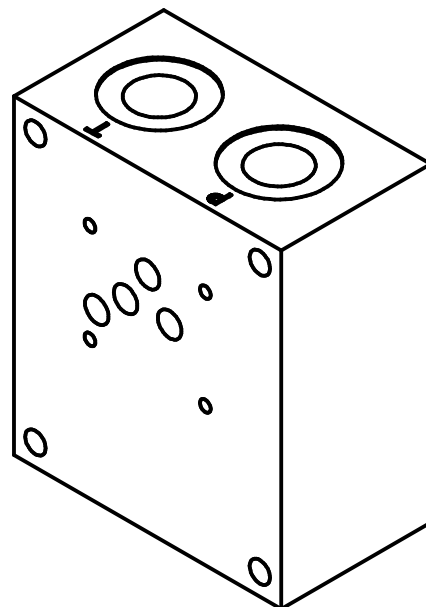
.00 = Rexroth M28 x 1,5
.01 = Bosch M30 x 1,5



Modification under reserved

Multiple valve manifolds, Incl. Cavity for Pressure Valve Size A10 DIN 24340 NG10 CETO 05

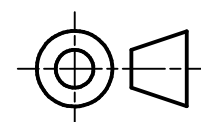
P+T Head Side Ports G3/4" - A+B Side Ports Left G1/2" 315 bar
Material Cast Iron GG25



Ordernr.	L=	Weight
2701.00	L=145 mm	8.1 kg
2702.00	L=220 mm	12.3 kg
2703.00	L=295 mm	16.5 kg
2704.00	L=370 mm	20.7 kg
2705.00	L=445 mm	24.9 kg
2706.00	L=520 mm	29.1 kg
2707.00	L=595 mm	33.3 kg
2708.00	L=670 mm	37.5 kg
2709.00	L=745 mm	41.7 kg
2710.00	L=820 mm	45.9 kg

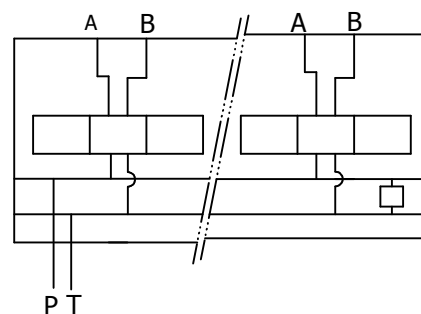
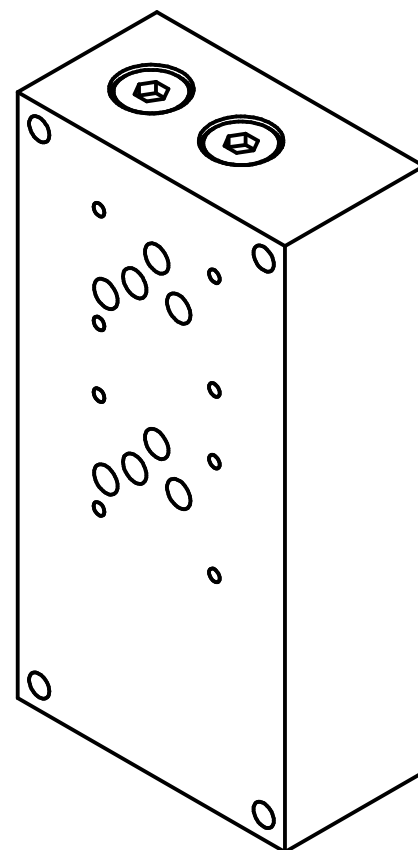
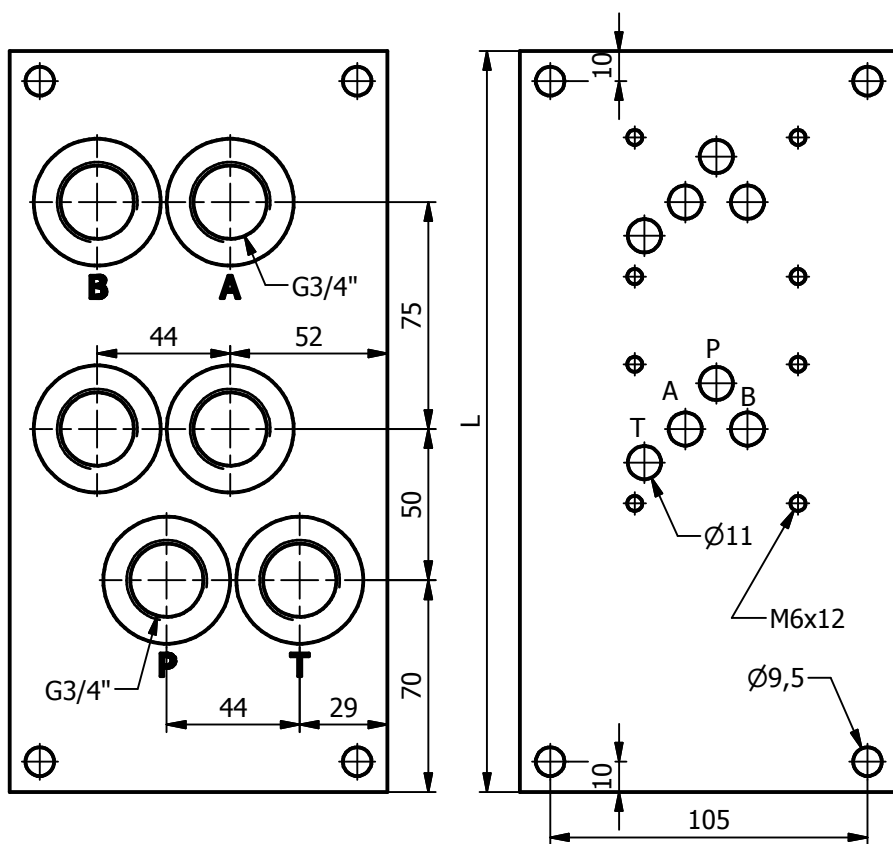
.00 = Rexroth M30 x 1,5
.01 = Bosch M35 x 1,5

Modification under reserved



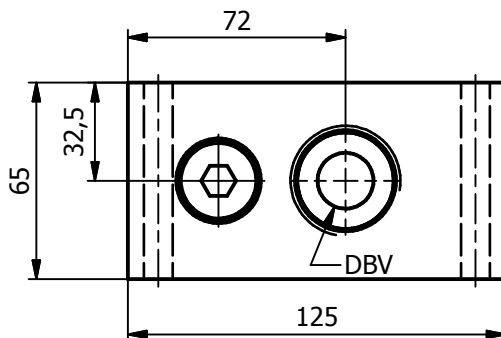
Multiple valve manifolds, Incl. Cavity for Pressure Valve Size A10 DIN 24340 NG10 CETOP 05

P+T Bottom Side Ports G3/4" - A+B Bottom Side Ports G3/4" 315 bar
Material Cast Iron GG25

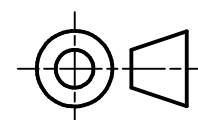


Ordernr.

2801.00	L=170 mm	8.5 kg
2802.00	L=245 mm	12.5 kg
2803.00	L=320 mm	16.5 kg
2804.00	L=395 mm	20.5 kg
2805.00	L=470 mm	24.5 kg
2806.00	L=545 mm	28.5 kg
2807.00	L=620 mm	32.5 kg
2808.00	L=695 mm	36.5 kg
2809.00	L=770 mm	40.5 kg
2810.00	L=845 mm	44.5 kg



.00 = Bosch M30 x 1,5
.01 = Rexroth M35 x 1,5



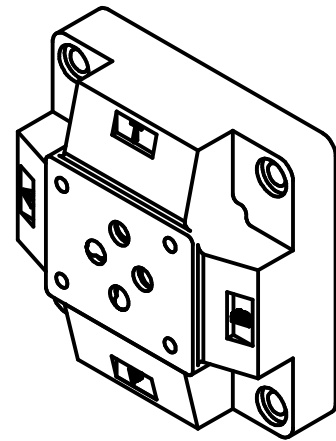
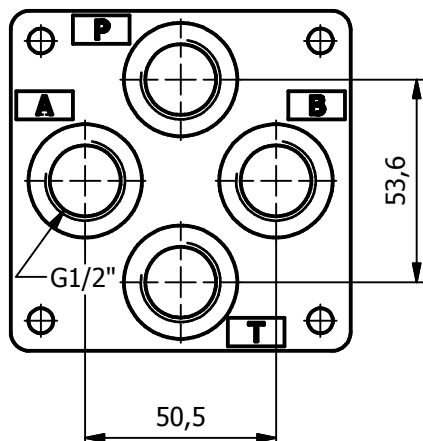
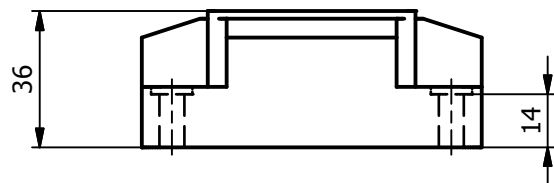
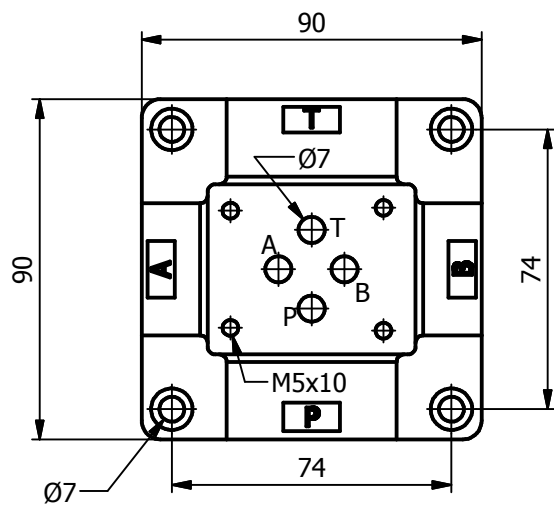
Modification under reserved

Subplates (Casting)

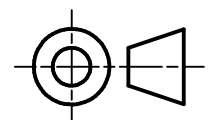
Size A6 DIN 24340 NG6 CETOP 03

P+T and A+B Bottom Side Ports G1/2" 315 bar

Material Cast Iron GG25



Ordernr.
2901.00 G1/2" 1.5 kg

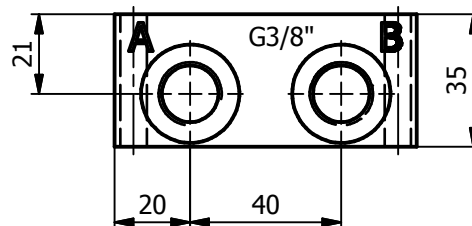
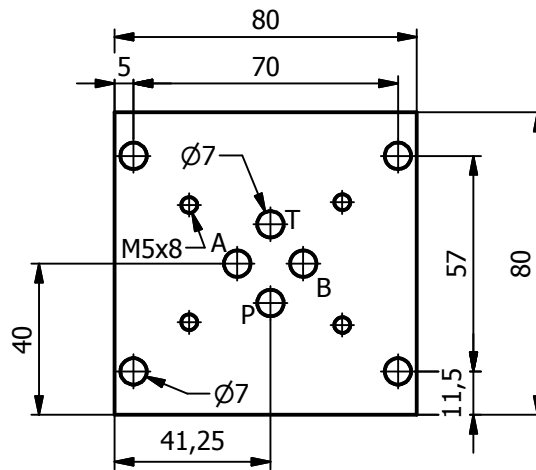
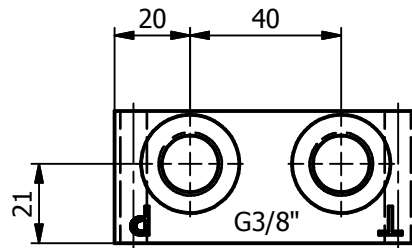
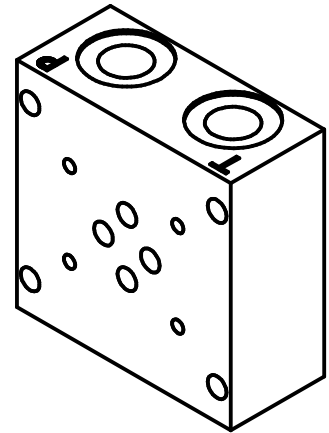


Subplates

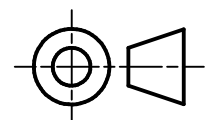
Size A6 DIN 24340 NG6 CETOP 03

P+T and A+B Side Ports 3/8" 315 bar

Material Cast Iron GG25



Ordernr. NR. 3001.00 1.3 kg

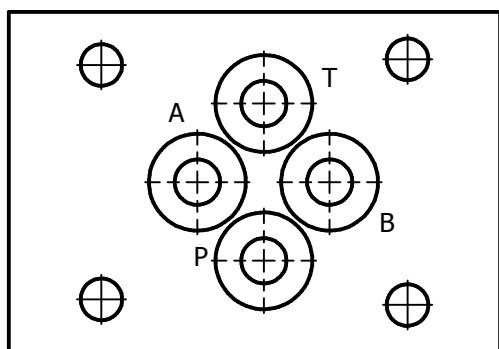
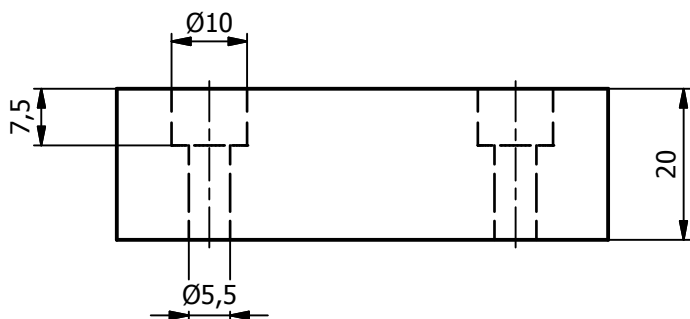
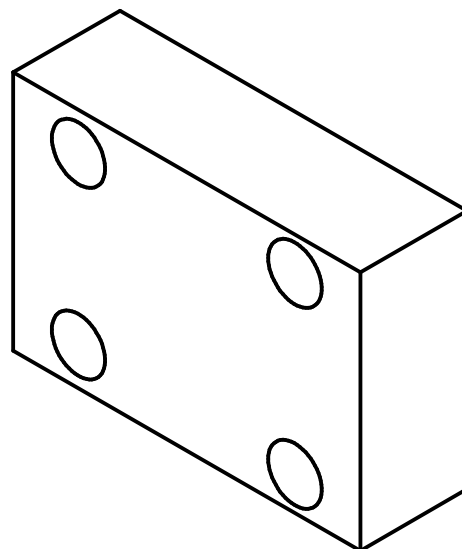
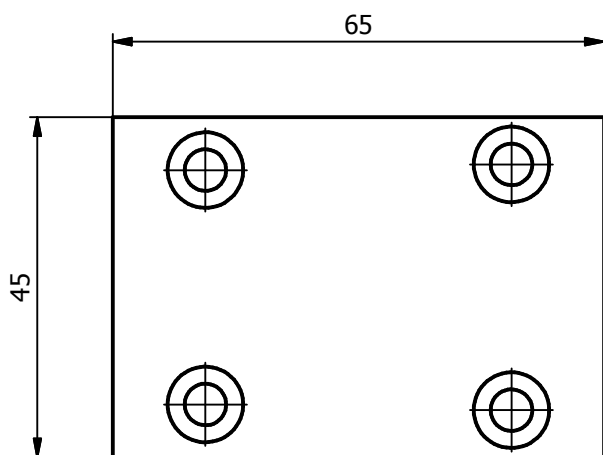


Cover plates

Size A6 DIN 24340 NG6 CETOP 03

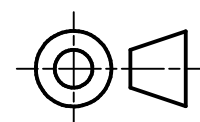
315 bar

Material ST 37 K



Ordernr. NR. 3401.00 0.4 kg

4x O-Ring Ø9.25 x 1.78 Shore 80

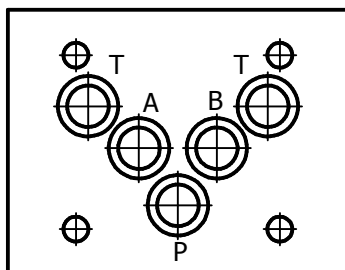
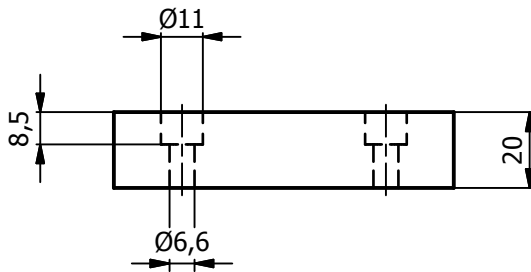
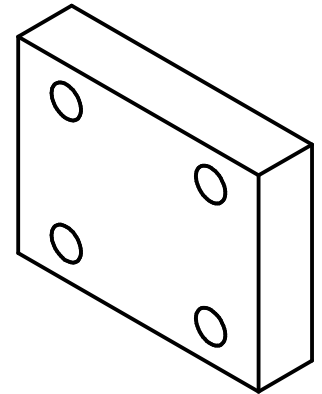
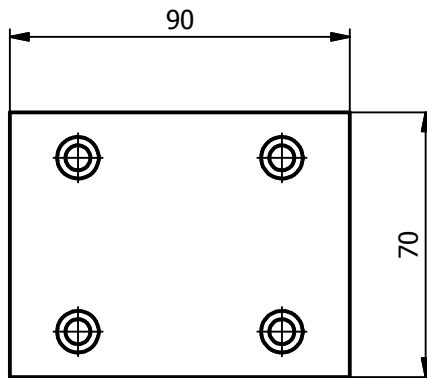


Cover plates

Size A10 DIN 24340 NG10 CETOP 05

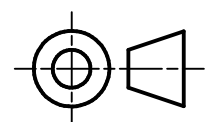
315 bar

Material ST 37 K



Ordernr. NR. 3501.00 0.8 kg

5x O-Ring Ø12.42x1.78 Shore 80

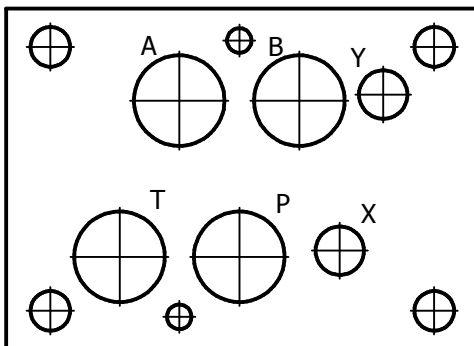
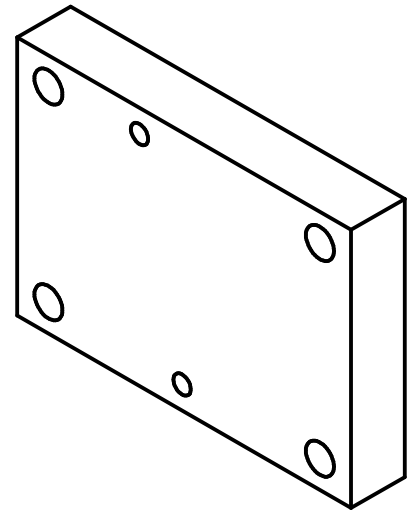
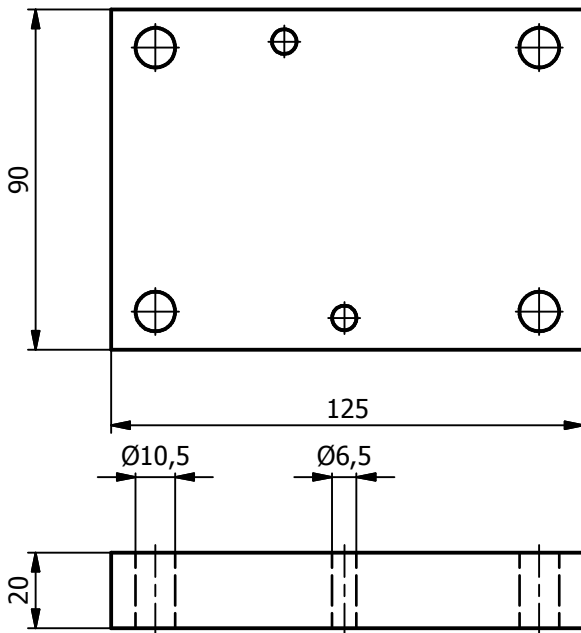


Cover plates

Size A16 DIN 24340 NG16 CETOP 07

315 bar

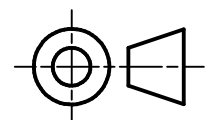
Material ST 37 K



Ordernr. NR. 3601.00 1.2 kg

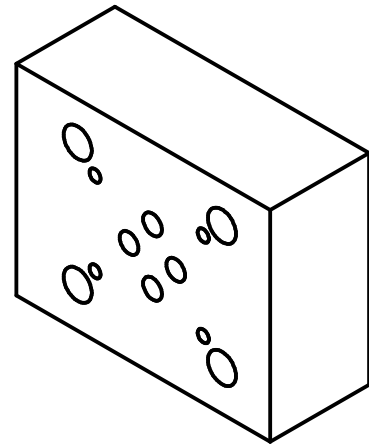
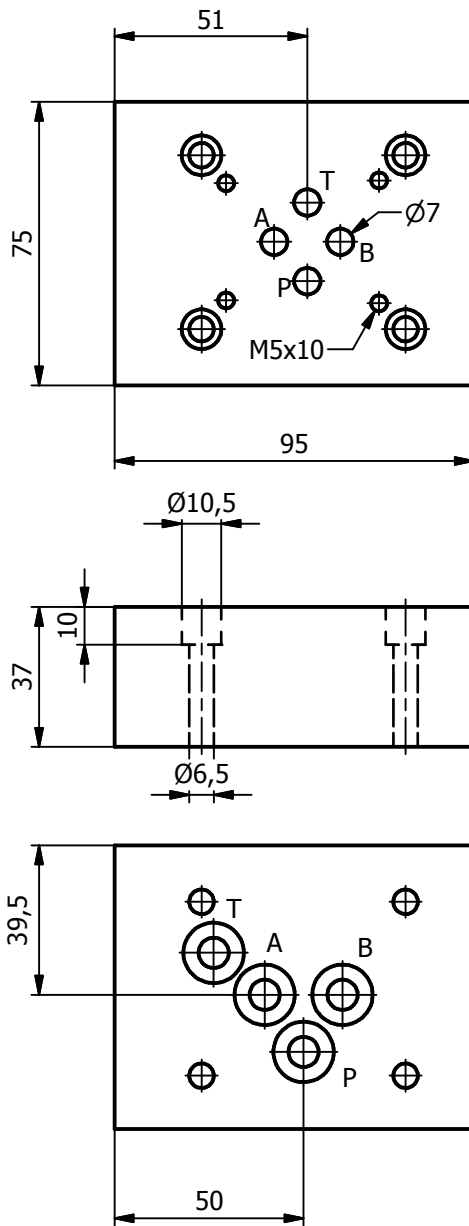
4x O-Ring Ø18.72x2.62

2x O-Ring Ø8x2



Transition plates NG10 - NG6 DIN 24340

315 bar
Material GG25



Ordernr. NR. 4001.00 1.5 kg

