

bit LUBRICATOR

Mini-lubricator with high lubrication stability.

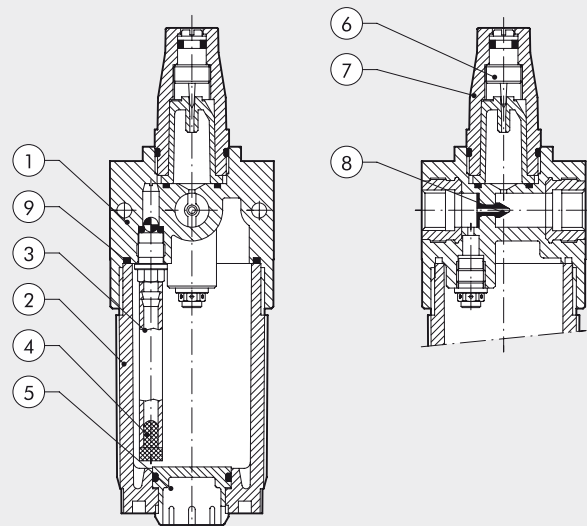
- Quantity of lubricant proportioned to air flow
- Activates at low flow rates
- Micrometric regulation of lubricant flow
- All-round oil level viewing



TECHNICAL DATA	LUB BIT 1/8"		LUB BIT 1/4"	
	1/8"		1/4"	
Threaded port			Oil mist	
Type of lubrication			26.5	
Bowl capacity	cm ³		Manual filling with the bowl disassembled	
Lubricator version			1.3	
Max. inlet pressure	MPa		13	
	bar		188	
	psi		400	
Flow rate at 6.3 bar (0.63 MPa to 91 psi) ΔP 0.5 bar (0.05 MPa to 7 psi)	Nl/min		14	
	scfm		710	
Flow rate at 6.3 bar (0.63 MPa to 91 psi) ΔP 1 bar (0.1 MPa to 14 psi)	Nl/min		25	
	scfm		50	
Max temperature at 1 MPa; 10 bar; 145 psi	°C		122	
	°F		40	
Weight	g		M4 by means of the bracket provided	
Wall fixing screws			Vertical	
Mounting position			Filtered compressed air	
Fluid				

COMPONENTS

- ① Technopolymer body with OT58 threaded elements
- ② Clear technopolymer bowl
- ③ Rilsan oil suction pipe
- ④ Filter
- ⑤ Technopolymer plug
- ⑥ Oil flow adjustment regulation needle made of OT58 brass
- ⑦ Clear technopolymer cover
- ⑧ NBR Venturi diaphragm
- ⑨ NBR gaskets

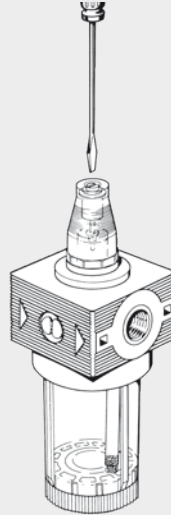


GENERAL RULES - USE AND MAINTENANCE

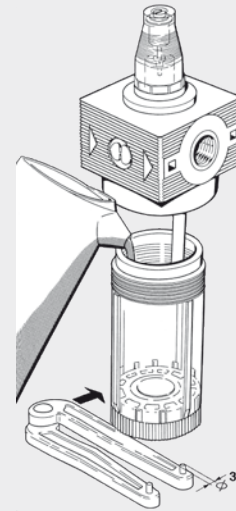
Use a no. 3 compass spanner to unscrew the bowl.

- Fit the lubricator as close as possible to the point of use
- Fill the bowl with oil before pressurizing the system
- Do not use cleaning oil, brake fluid or solvents in general
- For correct lubrication, set the drip rate to approximately 1 drop every 300-600 NI via the adjusting screw.
- Recommended lubricants:
ISO and UNI FD22
E.g. Energol HLP 22 (BP) – Spinesso 22 (Esso)
- Mobil DTE 22 (Mobil) – Tellus Oil 22 (Shell).

REGULATING LUBRICATION



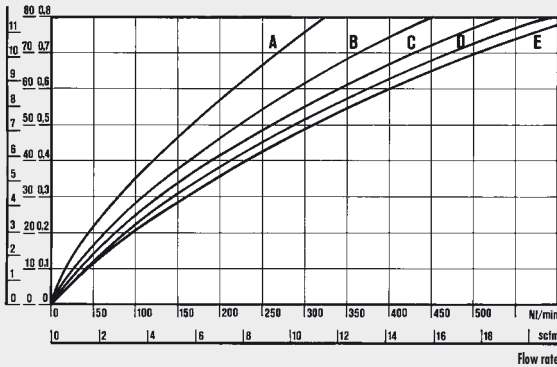
FILLING THE BOWL WITH OIL



FLOW CHARTS

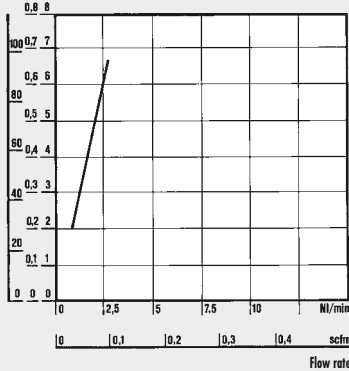
LUB

$\Delta P = (P_m - P_v)$
psi kPa bar



LUB 1/8-1/4

P_m
psi MPa bar



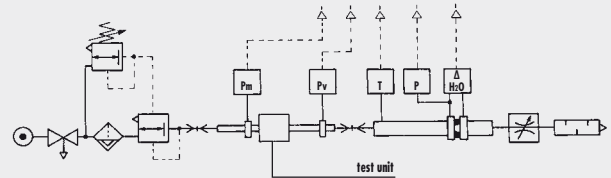
MINIMUM OPERATION FLOW CHARTS

Minimum flow tests were performed in compliance with ISO/DP 6301/2.



Department of Mechanics

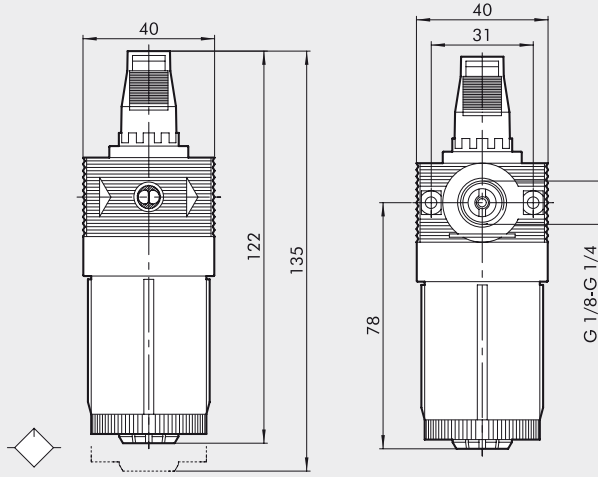
Turin Polytechnic



• Flow tests carried out at the Department of Mechanics, Turin Polytechnic, using the computerized test bench following CETOP RP50R recommendations (ISO DIS 6358-2-approved) with ISO 5167 diaphragm gauge.

- (A) = 2 bar - 0.2 MPa - 29 psi
- (B) = 4 bar - 0.4 MPa - 58 psi
- (C) = 6 bar - 0.6 MPa - 87 psi
- (D) = 8 bar - 0.8 MPa - 116 psi
- (E) = 10 bar - 1 MPa - 145 psi

DIMENSIONS



ORDERING CODES

Code	Description
5103001	LUB BIT 1/8
5203001	LUB BIT 1/4

NOTES