

**THE ART OF
CONTROL**

Neuffener Strasse 29
D-72636 Frickenhausen
Tel: (+49) 7025 - 911 007
Fax: (+49) 7025 - 911 008
Email: info@h-c-s-gmbh.de
www.h-c-s-gmbh.de

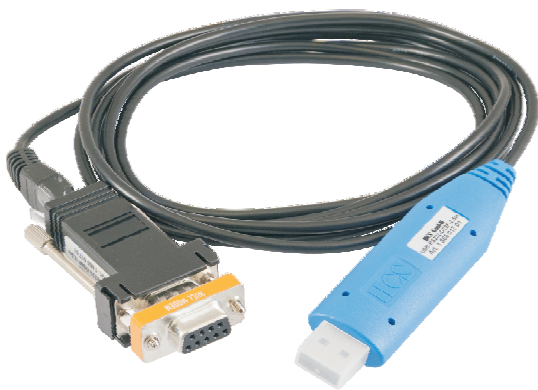


USB TO RS232 ADAPTOR FOR USAGE ON PC'S
EITHER FOR DMA-2 WITH RJ45 CONNECTOR OR FOR
DAC-4 WITH SUB-D CONNECTOR

USB-RS232-RJ45

USB-RS232-DS9F

- ▶ Easy to use adptor USB ↔ RS232
- ▶ Supported USB standard V1.1
- ▶ Universal usable for DAC-4 and DMA
- ▶ Also for other RS232 based products
- ▶ No RS232 required on PC
- ▶ No additional software required



1 Introduction

The USB to RS232 adaptor features leading edge technology. This electronic device meets the industrial standards for EMC. This ensures a high interference security and low interference emission.

2 Features

- The system features of the USB-RS232 adaptors are the following:
- Supported USB standard V1.1
- Universal usable for DAC-4 and DMA
- Also for other RS232 based products (make sure to have a proper connector)
- No RS232 required on PC

3 General applications

The USB to RS232 Adaptors are generally used for the following applications:

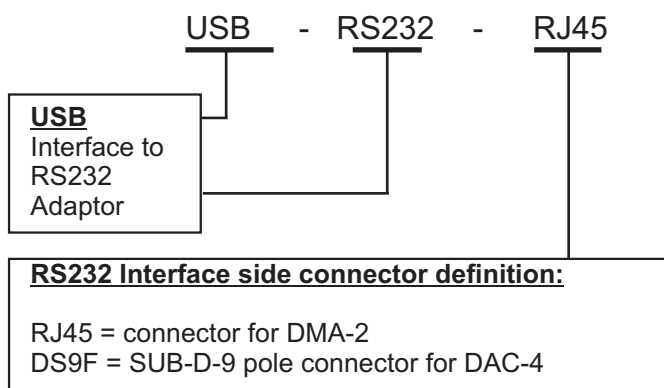
- To convert a USB interface into a RS232 interface
- To be used in order to establish a communication between a PC and either a DMA or a DAC amplifier unit
- To be used in conjunction with **HCSTool** or a terminal program

For industrial applications only.

4 Technical data

Parameters	Range, characteristics
PC Interface side	USB connector type A
Supported USB standard	1.1
Driver	Installed together with HCSTool installation
Cable length	2 meters
Connector device side	RJ45 8 pole (DMA version) // Sub-D 9 pole female (DAC version)
Housing dimensions	L x w x h = 90 x 20 x 12 mm
Housing material	ABS (blue)
Protection	IP30

5 Ordering code



6 Our partners and distributors

Europe**NORWAY, ALL NORDIC COUNTRIES****Servi Hydranor AS**

Rasmus Solbergs vei 1
N-1400 Ski
Norway
Tel.: (+47) 64 - 979 797
Fax: (+47) 64 - 979 899
Borre.Kleven@servi.no
www.servi.no

SWEDEN I (South-West)**PMC Hydraulics AB**

Askims Verkstadsväg 15
Box 1013
SE-43621 Askim
Sweden
Tel.: (+46) 31 - 28 98 40
Fax: (+46) 31 - 28 64 01
Per-Anders.Kallden@pmchydraulics.se
www.pmchydraulics.se

SWEDEN II (North-East)**Norrlands Hydraulik**

Stenhuggargatan 4
SE-913 35 Holmsund
Sweden
Tel.: (+46) 70 - 646 57 57
kurt.w@norrhyd.se
www.norrlandshydraulik.se

SWITZERLAND**GRIBI Hydraulics AG**

Lättenstr. 33
CH-8952 Schlieren
Switzerland
Tel.: (+41) 1 733 - 40 50
Fax: (+41) 1 730 - 58 05
info@gribi-hydraulics.ch
www.gribi-hydraulics.ch

GREAT BRITAIN**Voith Turbo Ltd.**

6 Beddington Farm Road
Croydon, Surrey
England CRO 4XB
Tel: (+44)208 667 0333
Fax: (+44) 208 667 0403
nick.moody@voith.com
www.uk.voithturbo.com

FRANCE**SEFYDRO**

Pôle République 1
23, Rue des Entrepreneurs
BP 1086
F-86060 POITIERS
Tel. : (+33) 549 607 016
Fax. : (+33) 549 602 480
bureau.etudes@sefydro.fr
www.sefydro.fr

ITALY**BIMAL TESTING MACHINES S.R.L.**

Automation & Software Department
Zona Industriale - Via A. Monni, 18
I-06135 Ponte Vallecceppi (Perugia)
Italy
Tel.: (+39) 075 - 592 171
Fax: (+39) 075 - 592 1740
automazioni@bimal.com
a.paolucci@bimal.com
www.bimal.com

SPAIN I**HRE HIDRAULIC S.L.**

C / Ibaitearte, 21
E-20870 Elgoibar
Spain
Tel.: (+34) 943 - 742 130
Fax: (+34) 943 - 742 708
hre-hidraulic@hre.es
www.hre.es

SPAIN II**GLUAL HIDRAULICA, S.A.**

Landeta Hiribidea, 11
E-20730 Azpeitia (Gipuzkoa)
Spain
Tel.: (+34) 943 157 015
Fax: (+34) 943 157 404
j.valverde@glual.es
www.glual.com

6 Our partners and distributors

ROW I**USA I****SERVI FLUID POWER INC.**

22240 Merchants Way | Suite 100
Katy, TX 77449, USA
Tel.: (+1) 281 - 347 8080
info@servi-inc.com
www.servi-inc.com

USA II**NC SERVO TECHNOLOGY INC.**

38422 Webb Drive
Westland, MI 48185-1974, USA
Tel.: 1-800 327 - 3786
Tel.: (001) 734 - 326 6666
Fax: (001) 734 - 326 6669
sales@ncservo.com
www.ncservo.com

USA III**Hawe Hydraulik - East**

9009-K Perimeter Woods Drive
Charlotte, NC 28216, USA
Tel: (+1) 704 509 1599
Fax: (+1) 704 509 6302
sales@hawehydraulics.com
www.hawe.com

USA IV**Hawe Hydraulik - Central**

10920 W. Sam Houston Pkwy N.
Suite 700
Houston, TX 77064
Tel: (+1) 713 - 300 3260
Fax: (+1) 281 - 970 6692
sales@hawehydraulics.com
Also:
Cell: (+1) 832 - 797 4608
m.paxton@hawehydraulics.com
www.hawe.com

USA V**Hawe Hydraulik - West**

912990 S.E. HWY 212
Clackamas, OR 97015, USA
Tel: (+1) 503 222 3295
Fax: (+1) 503 225 5976
sales@hawehydraulics.com
www.hawe.com

CANADA and USA VI**HYDRA-FAB
FLUID POWER INC.**

3585 Laird Road Unit 5
Mississauga, Ontario L5L 5Z8
Canada
Tel.: (+1) 905 - 569 1819
Fax: (+1) 905 - 569 7801
rgores@hydrafab.com
www.hydrafab.com

BRASIL, SOUTH AMERICA**Voith Turbo Ltda**

Av. Fernando Stecca, 575
Alto da Boa Vista
BR - 18087 - 450 Sorocaba / SP
Tel.: (+55) 15 228 1114
Fax: (+55) 15 228 1115
friedrich.guther@voith.com
www.hl-hydraulic.com

6 Our partners and distributors

ROW II**ASIA****KC Kim Consulting GmbH**

Support in German, English,
Chinese and Korean
Industrial Engineering Im- und Export
Lilienthalstr. 3
D-30916 Isernhagen
Tel: +49 (0)511-898809-17
Fax: +49 (0)511-898809-29
c.kim@kc-co.com
info@kc-co.com
www.kc-co.com

AUSTRALIA I (Brisbane)**Hydraulic Specialists
Australia Pty Ltd**

21 Production Street, Wacol
Queensland,
Australia, 4076
Tel: +61 (07) 3879 4400
Fax: +61 (07) 3879 4333
brisbane@hsaus.com.au
lharley@qldhsaus.com.au
www.hsaus.com.au

AUSTRALIA II (Melbourne)**Hydraulic Specialists
Australia Pty Ltd**

9 National Drive , Hallam
Victoria
Australia, 3803
Tel: +61 (03) 9796 5433
Fax: +61 (03) 9796 4955
melbourne@hsaus.com.au
lharley@qldhsaus.com.au
www.hsaus.com.au

INDIA**Greentech Engineers Australia**

Mr. Vish Karegowda
Mount Waverley, Victoria
Australia, 3149
Tel : +61(03) 9803 5941
contact@greentechea.com.au
www.greentechea.com.au
Skype : grnhorizon