

## Klippon STB (Small Terminal Box) KLIPPON STB 3 SS

**Weidmüller Interface GmbH & Co. KG**  
Klingenbergstraße 16  
D-32758 Detmold  
Germany  
Fon: +49 5231 14-0  
Fax: +49 5231 14-292083  
www.weidmueller.com

### Product image



Ideally suited for the energy, process and transportation industries, the Klippon® STB enclosure series is the perfect complement to our existing Klippon enclosure portfolio. Enclosures in this series are approved according to international standards such as e.g. EN62208 and EN60079-0/7 (ATEX).

- Mirror-polished or electropolished stainless steel 1.4404 (316L), 1.5 mm
- High-temperature-resistant seal as standard - extended temperature range of -60°C to +100°C (+120°C on request)
- Approved according to ATEX, IECEx, cULus, Lloyds Register, Germanischer Lloyd, GOST and INMETRO
- Flexible options for fastening the internal mounting rail
- IP66 protection
- Secure, permanent function of the seal is ensured by seal compression protection
- Earthing stud in the cover and base of the enclosure
- Laser cut weld seams for increased quality
- Already welded-on mounting feet guarantee optimum enclosure installation

Weidmüller can manufacture and supply this enclosure - according to customer specifications - fitted with all necessary terminals and cable glands.

### General ordering data

|            |  |
|------------|--|
| Type       | KLIPPON STB 3 SS   |
| Order No.  | <a href="#">1002720000</a>   |
| Version    | Klippon STB (Small Terminal Box), Empty enclosure, stainless steel enclosure, Height: 190 mm, Width: 190 mm, Depth: 100 mm, Material: Stainless steel 1.4404 (316L), Mirror polished, silver |
| GTIN (EAN) | 4032248695652  |
| Qty.       | 1 pc(s).   |

**Klippon STB (Small Terminal Box)  
KLIPPON STB 3 SS**

**Weidmüller Interface GmbH & Co. KG**  
 Klingenbergstraße 16  
 D-32758 Detmold  
 Germany  
 Fon: +49 5231 14-0  
 Fax: +49 5231 14-292083  
 www.weidmueller.com

**Technical data****Dimensions and weights**

|                            |         |                 |            |
|----------------------------|---------|-----------------|------------|
| Width                      | 190 mm  | Width (inches)  | 7.48 inch  |
| Height                     | 190 mm  | Height (inches) | 7.48 inch  |
| Depth                      | 100 mm  | Depth (inches)  | 3.937 inch |
| Mounting dimension - width | 215 mm  | Weight          | 2.59 kg    |
| Net weight                 | 2,433 g |                 |            |

**Cable glands, left**

|     |    |     |    |
|-----|----|-----|----|
| M12 | 21 | M16 | 15 |
| M20 | 10 | M25 | 8  |
| M32 | 3  | M40 | 3  |
| M50 | 2  | M63 | 1  |

**Cable glands, right**

|     |    |     |    |
|-----|----|-----|----|
| M12 | 21 | M16 | 15 |
| M20 | 8  | M25 | 6  |
| M32 | 3  | M40 | 2  |
| M50 | 1  |     |    |

**Cable glands, top/bottom**

|     |    |     |    |
|-----|----|-----|----|
| M12 | 21 | M16 | 15 |
| M20 | 10 | M25 | 8  |
| M32 | 3  | M40 | 3  |
| M50 | 2  | M63 | 1  |

**Certificate numbers enclosure**

|   |                      |  |                      |
|---|----------------------|--|----------------------|
| Certificate no. assembled enclosure (ATEX)    | IBExU07ATEX1148      | Certificate no. empty enclosure (ATEX)       | IBExU 07ATEX1147U    |
| Certificate no. assembled enclosure (IECEX)   | IECEX IBE 09.0019    | Certificate no. empty enclosure (IECEX)      | IECEX IBE 09.0018U   |
| Certificate no., assembled enclosure (EAC)    | RU C-DE.ГБ08.B.01328 | Certificate no., empty enclosure (EAC)       | RU C-DE.ГБ08.B.00472 |
| Certificate no. assembled enclosure (INMETRO) | IEEx 13.0003         | Certificate no. empty enclosure (INMETRO)    | IEEx 13.0002U        |
| Certificate no. assembled enclosure (AEx)     | E223792              | Certificate no., assembled enclosure (KOSHA) | 16-AV4BO-0247X       |
| Certificate No. (GERMLLOYD)                   | 59358-08             | Certificate No. (MARITREG)                   | 15.40041.250         |
| Certificate no. (cULus)                       | E256877              |  |                      |

## Klippon STB (Small Terminal Box) KLIPPON STB 3 SS

**Weidmüller Interface GmbH & Co. KG**  
 Klingenbergstraße 16  
 D-32758 Detmold  
 Germany  
 Fon: +49 5231 14-0  
 Fax: +49 5231 14-292083  
 www.weidmueller.com

## Technical data

### General information

|                                 |   |                             |   |
|---------------------------------|---|-----------------------------|---|
| Areas of use                    | Explosive risk zone, Packaging industry, Transportation, Process industry, Marine engineering | Material thickness          | 1.5 mm                                  |
| Material thickness of enclosure | 1.5 mm  | Torque for lid screws       | 2.5 Nm                                  |
| Material                        | Stainless steel 1.4404 (316L)   | Seal material               | Silicone                                |
| Surface finish                  | Mirror polished   | Operating temperature, min. | -60 °C                                  |
| Operating temperature, max.     | 100 °C  | Impact resistance           | 10 J version standard, 7 J ATEX version |
| Protection degree               | IP66  | Enclosure attachment        | Welded-on mounting foot with 8-mm holes |
| Lid attachment                  | M5 hexagonal screw with slot and 10mm distance across flats                                   | Integral fixing             | TAS 20 rail welded to floor             |

### vertical assembly

|                             |      |                 |      |
|-----------------------------|------|-----------------|------|
| WDU 10 / ZDU 10             | 1x15 | WDU 16 / ZDU 16 | 1x13 |
| WDU 2,5 / ZDU 2,5 / IDU 2,5 | 1x30 | WDU 4 / ZDU 4   | 1x25 |
| WDU 6 / ZDU 6               | 1x20 |                 |      |

### Classifications

|            |             |            |             |
|------------|-------------|------------|-------------|
| ETIM 4.0   | EC002600    | ETIM 5.0   | EC002600    |
| ETIM 6.0   | EC002503    | eClass 6.2 | 27-14-91-07 |
| eClass 7.1 | 27-14-91-07 | eClass 8.1 | 27-14-91-07 |
| eClass 9.0 | 27-18-05-02 | eClass 9.1 | 27-18-05-02 |

### Product information

Product information the ambient temperature for the assembly will be reduced to +60°C and the surface temperature to +100°C.

### Approvals

Approvals



ROHS Conform

**Klippon STB (Small Terminal Box)  
KLIPPON STB 3 SS**

**Weidmüller Interface GmbH & Co. KG**  
Klingenbergstraße 16  
D-32758 Detmold  
Germany  
Fon: +49 5231 14-0  
Fax: +49 5231 14-292083  
www.weidmueller.com

**Technical data****Downloads**

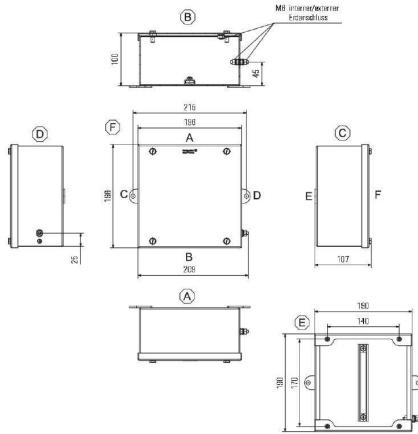
|   |  |
|---|--|
| Approval/Certificate/Document of Conformity | <a href="#">Attestation of Conformity - Klippon STB Empty Enclosures - AoC DE PS2620 160308 001ISS01</a><br><a href="#">EU Declaration of Conformity - Klippon STB Empty Enclosures Ex - DoC DE PS2620 160412 001ISS01</a>                 |
| Brochure/Catalogue                          | <a href="#">MB OVERV. PROCESS WD DE</a><br><a href="#">MB KLIPPON ENCL.TECN EN</a><br><a href="#">MB PROCESS EN</a><br><a href="#">CAT 5 ENCL 17/18 EN</a><br><a href="#">FL KLIPPON STB EN</a><br><a href="#">FL SHIPBUILDING 2016 EN</a> |
| Engineering Data                            | <a href="#">EPLAN, WSCAD</a>   |
| Engineering Data                            | <a href="#">STEP</a>   |
| Tender specification                        | <a href="#">Klippon STB 3 SS_1002720000_DE</a><br><a href="#">Klippon STB 3 SS_1002720000_EN</a>   |
| User Documentation                          | <a href="#">MB KLIPPON ENCL.TECN DE</a><br><a href="#">Assembly guidelines - empty enclosures</a>  |

**Klippon STB (Small Terminal Box)  
KLIPPON STB 3 SS**

**Weidmüller Interface GmbH & Co. KG**  
 Klingenbergstraße 16  
 D-32758 Detmold  
 Germany  
 Fon: +49 5231 14-0  
 Fax: +49 5231 14-292083  
 www.weidmueller.com

**Drawings**

**Dimensioned drawing**



**Klippon STB (Small Terminal Box)  
KLIPPON STB 3 SS**

**Weidmüller Interface GmbH & Co. KG**  
Klingenbergstraße 16  
D-32758 Detmold  
Germany  
Fon: +49 5231 14-0  
Fax: +49 5231 14-292083  
www.weidmueller.com

**Accessories**

**Grounding strap**



**Integrate, expand and customise - the perfect supplement to every application**

The fully structured range of system accessories for the new Klippon® TB enclosure series allows you to easily adapt the enclosures to meet the specific requirements of every application.

The following options are available:

- Document holders
- Flange plates
- Mounting plates
- Locking systems
- Type label holders
- Rain hoods
- Earthing studs

**General ordering data**

|            |                            |  |
|------------|----------------------------|--|
| Type       | PECD WIRE 6/200/D6 SET     | Version  |
| Order No.  | <a href="#">2475490000</a> | Klippon TB (Terminal Box), Grounding strap, Sscrewed, Green/yellow |
| GTIN (EAN) | 4050118487206              |  |
| Qty.       | 1 pc(s).                   |  |

**Klippon STB (Small Terminal Box)  
KLIPPON STB 3 SS**

**Weidmüller Interface GmbH & Co. KG**  
Klingenbergstraße 16  
D-32758 Detmold  
Germany  
Fon: +49 5231 14-0  
Fax: +49 5231 14-292083  
www.weidmueller.com

**Accessories**

**Accessories**



Ideally suited for the energy, process and transportation industries, the Klippon® STB enclosure series is the perfect complement to our existing Klippon enclosure portfolio. Enclosures in this series are approved according to international standards such as e.g. EN62208 and EN60079-0/7 (ATEX).

Features: .

- High-temperature-resistant seal as standard - increased temperature range of -50°C to +100°C (+120°C on request)
- Approved according to ATEX, IECEx, cULus, Lloyds Register, Germanischer Lloyd, GOST
- Flexible options for fastening the internal mounting rail
- IP66 protection
- Secure, permanent function of the seal is ensured by seal compression protection
- Earthing stud in the cover and base of the enclosure
- Laser cut weld seams for increased quality
- Already welded-on mounting feet guarantee optimum enclosure installation

Weidmüller can manufacture and supply this enclosure - according to customer specifications - fitted with all necessary terminals and cable glands.

**General ordering data**

|            |                            |         |  |
|------------|----------------------------|---------|--|
| Type       | SFNS5 VKMU M5 SW15         | Version |  |
| Order No.  | <a href="#">0433500000</a> |         | Klippon STB (Small Terminal Box), Fixing nut, Material: Steel, |
| GTIN (EAN) | 4008190494520              |         | galvanised, silver   |
| Qty.       | 20 pc(s).                  |         |  |

## Klippon STB (Small Terminal Box) KLIPPON STB 3 SS

**Weidmüller Interface GmbH & Co. KG**  
 Klingenbergstraße 16  
 D-32758 Detmold  
 Germany  
 Fon: +49 5231 14-0  
 Fax: +49 5231 14-292083  
 www.weidmueller.com

# Accessories

## Installation material



### Integrate, expand and customise - the perfect supplement to every application

The fully structured range of system accessories for the new Klippon® TB enclosure series allows you to easily adapt the enclosures to meet the specific requirements of every application.

#### Mounting hardware kits

Mounting hardware kits are available for quick and easy installation of type label holders, document holders and rain hoods.

The **label fastening set – SD** is required to install a plastic (Trafolyte) ID or type label. With the aid of this set you can mount the ID or type label directly on the enclosure cover. The label fastening set has been specially developed for this purpose. Only by using this fastening set can you ensure that there will be no leaks into the enclosure or damage to the label.

The **universal fastening set – TPSD** has been developed to enable secure and quick installation of type label holders, rain covers or document holders, for example. By using this fastening set, the risk of leaks can be minimised, if not avoided.

## General ordering data

|            |                            |  |
|------------|----------------------------|--|
| Type       | TPSD FIXING SET KTB        | Version  |
| Order No.  | <a href="#">1252190000</a> | Klippon TB (Terminal Box), Type plate fixings set, Material: Stainless steel, rust-proof, untreated, silver          |
| GTIN (EAN) | 4050118043969              |  |
| Qty.       | 1 pc(s).                   |  |
| Type       | SD FIXING SET              | Version  |
| Order No.  | <a href="#">1285200000</a> | Klippon TB (Terminal Box), Identification plate fixing set, Material: Stainless steel, rust-proof, untreated, silver |
| GTIN (EAN) | 4050118075472              |  |
| Qty.       | 1 pc(s).                   |  |

## Compensating Element



Pressure-compensation elements ensure good ventilation of the enclosure and prevent the build-up of condensation while maintaining the appropriate IP class of protection.

## General ordering data

|            |                            |  |
|------------|----------------------------|--|
| Type       | DAE M12 PA LONG            | Version  |
| Order No.  | <a href="#">1868570000</a> | DAE (ventilation element), Compensating element, M 12, 10 mm, IP66, IP68, IP69K, Polyamide 6 |
| GTIN (EAN) | 4032248440429              |  |
| Qty.       | 10 pc(s).                  |  |



**Klippon STB (Small Terminal Box)  
KLIPPON STB 3 SS**

**Weidmüller Interface GmbH & Co. KG**  
Klingenbergstraße 16  
D-32758 Detmold  
Germany  
Fon: +49 5231 14-0  
Fax: +49 5231 14-292083  
www.weidmueller.com

**Accessories**

|            |                            |   |
|------------|----------------------------|---|
| Type       | DAE M12 SS                 | Version   |
| Order No.  | <a href="#">1868550000</a> | DAE (ventilation element), Compensating element, M 12, 10 mm, |
| GTIN (EAN) | 4032248440405              | IP66, IP68, IP69K, Stainless steel 1.4305 (303)               |
| Qty.       | 10 pc(s).                  |   |

**TS 35**


Ideally suited for the energy, process and transportation industries, the Klippon® STB enclosure series is the perfect complement to our existing Klippon enclosure portfolio. Enclosures in this series are approved according to international standards such as e.g. EN62208 and EN60079-0/7 (ATEX).

Features: .

- High-temperature-resistant seal as standard - increased temperature range of -50°C to +100°C (+120°C on request)
- Approved according to ATEX, IECEx, cULus, Lloyds Register, Germanischer Lloyd, GOST
- Flexible options for fastening the internal mounting rail
- IP66 protection
- Secure, permanent function of the seal is ensured by seal compression protection
- Earthing stud in the cover and base of the enclosure
- Laser cut weld seams for increased quality
- Already welded-on mounting feet guarantee optimum enclosure installation

Weidmüller can manufacture and supply this enclosure - according to customer specifications - fitted with all necessary terminals and cable glands.

**General ordering data**

|            |                             |  |
|------------|-----------------------------|--|
| Type       | TS35X7.5 ST STB 2.1 STB ... | Version  |
| Order No.  | <a href="#">1567660000</a>  | Rail, TS 35, TS 35 x 7.5, Length: 150 mm, without slot, Steel, |
| GTIN (EAN) | 4008190084868               | galvanized, chromium-plated                                    |
| Qty.       | 100 pc(s).                  |  |