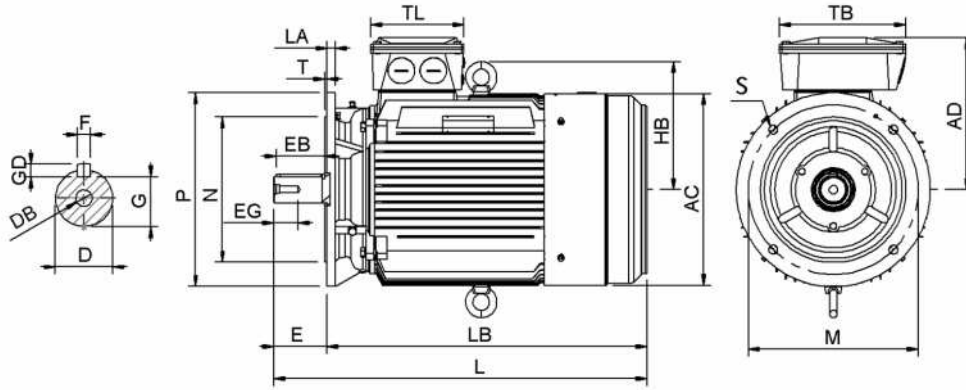


# Data Sheet

Itemnumber....: 5541600250



AC = 313	DB = M16	EG = 36	GD = 8	L = 610	LE = 595	P = 350	TB = 218
AD = 276	E = 110	F = 12	H = 160	LA = 14	M = 300	S = 4-Ø18.5	TL = 162
D = 42	EB = 100	G = 37	HB = 221	LB = 500	N = 250	T = 5	

<p><b>Version</b>                  Type.....: HMC3 160M-4                  Design.....: Induction motor                  Standard series.....: IEC 60034                  Phase / Voltage range.....: 3~ / Low</p> <p><b>Electrical design</b>                  Efficiency.....: IE3                  Pole.....: 4                  Power at 50 Hz (kW).....: 11,0                  Hz.....: 50                  Voltage.....: 230VD/400VY                  Winding voltage.....: 230VD/400VY 50 Hz                  Power output (kW).....: 11,0                  Duty.....: S1                  Insulation class.....: F                  Temperature rise.....: B</p> <p><b>Motor protection</b>                  Thermal protection main....: PTC 3x 155 dgr                  Thermal protection second..: None                  Space heater.....: None                  Temperature detector.....: No                  SPM.....: No                  IR wire.....: No                  Tropical insulation.....: No</p> <p><b>Explosion protection</b>                  According to.....: None                  Type of protection.....: None</p> <p><b>General</b>                  Direction of rotation.....: CW                  Painting.....: RAL 9005 Gloss 10                  Nameplate.....: Multivoltage                  Special packing.....: No                  Special requirements.....: No</p>	<p><b>Mechanical design</b>                  Frame size.....: 160                  Mounting.....: B5                  Rain cap.....: No                  Protection class.....: IP55                  Cooling method.....: IC411/TEFC                  External grounding.....: Yes                  Drain hole.....: Yes                  Frame material.....: Cast Iron                  Material approval.....: None                  Shaft.....: IEC standard                  Key.....: Closed key                  Balancing.....: Half key balancing                  Vibration class.....: Grade-A                  Weight (kg).....: 141</p> <p><b>Environment condition</b>                  Ambient temp. min. (°C)..: -20                  Ambient temp. max. (°C)..: 40                  Altitude (mtr up to).....: 1000</p>	<p><b>Bearing</b>                  DE Bearing.....: 6309-ZZ/C3                  NDE Bearing.....: 6309-ZZ/C3                  Fixed bearing.....: DE</p> <p><b>Terminal box</b>                  Tbox position.....: Top                  Cable entry direction.....: Right (from DE)                  Cable entry                      Main.....: 2 x M40x1,5                                      Metal blindcaps                      Accessory.....: 2 x M20x1,5                                      Metal blindcaps                  Connection type.....: Star (Y)                  Terminal board thread.....: 6-M6</p> <p><b>Test values</b>                  Rotor inertia (kgm²).....: 0,11                  Noise level (dB(A)).....: 71                  No load current (A).....: 9,15                  Winding resist. (ohm).....: 0,25                  Starting time (sec.).....: 0,08                  Temp. rise winding (K).....: 57                  Temp. rise surface (K).....: 41</p>
---	---	---

Rated power (kW) . . . . .	11,0	10,6	13,2	12,8
Frequency (Hz) . . . . .	50	50	60	60
Voltage (V) . . . . .	230 400	220 380	280 480	440
Connection . . . . .	D Y	D Y	D Y	Y
Full load current (A) . . . .	37,0 21,2	38,0 22,0	37,0 21,2	22,0
Speed (rpm) . . . . .	1470	1470	1760	1760
Power factor cos(phi) . . . .	0,83	0,84	0,83	0,85
Efficiency, 100/75/50 (%) . .	91,6/92,1/90,1	91,6/92,1/90,1	91,6/92,1/90,1	91,0/91,5/89,4
Ist/In . . . . .	8,2	7,2	8,2	7,6
Full load torque (Nm) . . . .	71,5	69,0	71,5	69,0
Tst/Tn . . . . .	2,9	2,7	2,9	2,5
Tmax /Tn . . . . .	3,7	3,4	3,7	3,2
Duty . . . . .	S1	S1	S1	S1
Ambient temp. (°C) . . . . .	40	45	40	45