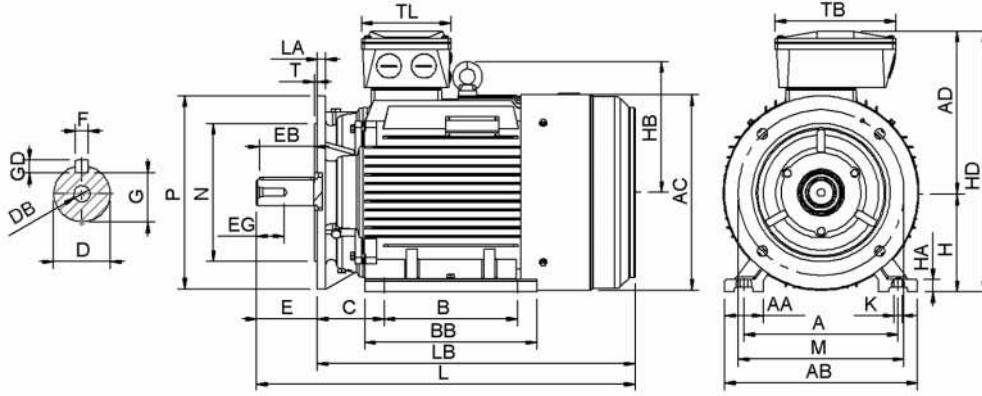


Data Sheet

Itemnumber....: 5541601450



A = 254	AC = 313	BB = 304	DB = M16	EG = 36	GD = 8	HB = 221	L = 654	LE = 639	P = 350	TB = 218
AA = 65	AD = 276	C = 108	E = 110	F = 12	H = 160	HD = 436	LA = 14	M = 300	S = 4-Ø18.5	
AB = 314	B = 254	D = 42	EB = 100	G = 37	HA = 20	K = 4	LB = 544	N = 250	T = 5	

Version

Type.....: HMC3 160L-4
 Design.....: Induction motor
 Standard series.....: IEC 60034
 Phase / Voltage range.....: 3~ / Low

Electrical design

Efficiency.....: IE3
 Pole.....: 4
 Power at 50 Hz (kW).....: 15,0
 Hz.....: 50
 Voltage.....: 230VD/400VY
 Winding voltage.....: 230VD/400VY 50 Hz
 Power output (kW).....: 15,0
 Duty.....: S1
 Insulation class.....: F
 Temperature rise.....: B

Mechanical design

Frame size.....: 160
 Mounting.....: B35
 Rain cap.....: No
 Protection class.....: IP55
 Cooling method.....: IC411/TEFC
 External grounding.....: Yes
 Drain hole.....: Yes
 Frame material.....: Cast Iron
 Material approval.....: None
 Shaft.....: IEC standard
 Key.....: Closed key
 Balancing.....: Half key balancing
 Vibration class.....: Grade-A
 Weight (kg).....: 151

Bearing

DE Bearing.....: 6309-ZZ/C3
 NDE Bearing.....: 6309-ZZ/C3
 Fixed bearing.....: DE

Terminal box

Tbox position.....: Top
 Cable entry direction.....: Right (from DE)
 Cable entry
 Main.....: 2 x M40x1,5
 Metal blindcaps
 Accessory.....: 2 x M20x1,5
 Metal blindcaps
 Connection type.....: Star (Y)
 Terminal board thread.....: 6-M6

Test values

Rotor inertia (kgm²).....: 0,13
 Noise level (dB(A)).....: 70
 No load current (A).....: 12,0
 Winding resist. (ohm).....: 0,19
 Starting time (sec.).....: 0,08
 Temp. rise winding (K).....: 66
 Temp. rise surface (K).....: 40

Motor protection

Thermal protection main....: PTC 3x 155 dgr
 Thermal protection second.: None
 Space heater.....: None
 Temperature detector.....: No
 SPM.....: No
 IR wire.....: No
 Tropical insulation.....: No

Explosion protection

According to.....: None
 Type of protection.....: None

General

Direction of rotation.....: CW
 Painting.....: RAL 9005 Gloss 10
 Nameplate.....: Multivoltage
 Special packing.....: No
 Special requirements.....: No

Rated power (kW)	15,0	14,6	18,0	17,4
Frequency (Hz)	50	50	60	60
Voltage (V)	230 400	220 380	280 480	440
Connection	D Y	D Y	D Y	Y
Full load current (A)	49,5 28,5	51,0 29,5	49,5 28,5	29,5
Speed (rpm)	1470	1470	1760	1760
Power factor cos(phi)	0,83	0,84	0,83	0,85
Efficiency, 100/75/50 (%)	92,1/92,4/91,8	92,1/92,4/91,8	92,1/92,4/91,8	91,6/91,9/91,2
Ist/In	9,1	8	9,1	8,4
Full load torque (Nm)	97,0	94,0	97,0	94,0
Tst/Tn	3,2	3,0	3,2	2,8
Tmax /Tn	3,4	3,2	3,4	3,0
Duty	S1	S1	S1	S1
Ambient temp. (°C)	40	45	40	45