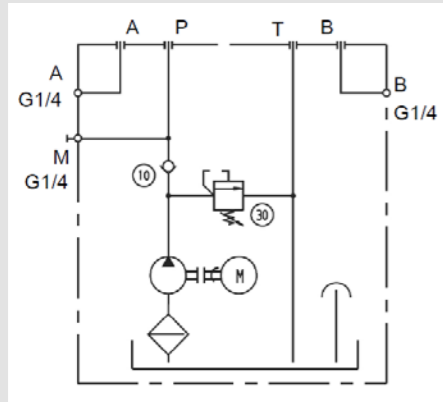


Compact hydraulic power unit type H sizes 4...



Technical specifications

Type of device	Hydraulic power unit
Sizes	400, 410, 440
Design	Standard design Operating mode S3 - 20%
Pump type	Gear pump
pmax	230 bar
Qmax	11.8 lpm
Geometric displacement	1.10 - 7.9 cm ³ /U
Max. motor power	2.5 kW
Motor type	400 V 3-phase current
Useable volume	4.5 - 9.5 l
Mounting position	Horizontal and vertical



Features and benefits:

- H400 - A throttle valve enables manually adjustable lowering speed
- H410 - The 2-way proportional control valve allows proportionally adjustable lifting and lowering speed
- H440 - Designed for modular valve assembly

