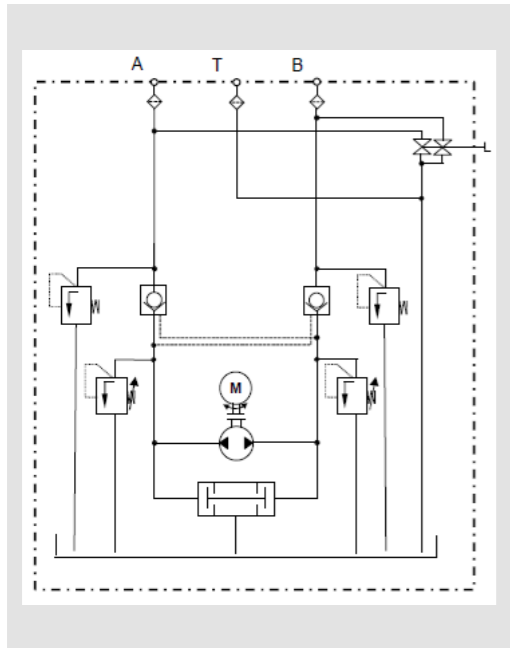


# Compact power unit type HICON



Technical specifications	
Type of device	Hydraulic power unit
Sizes	1
Pump type	External gear pump
Design	Reversing operation Operating mode S3 – 10 %
Protection class	IP67
pmax	170 bar
Qmax	3.0 lpm
Max. motor power	1.3 kW
Motor type	12 VDC (24/48 VDC planned) brushless
Filling volume	0.3 – 0.6l
Mounting position	Horizontal and vertical

## Features and benefits:

- High power density
- Low noise level
- Power-on-Demand
- Smart control via CAN bus
- Three-chamber system
- Waterproof

