

TECHNICAL DATA

Body Type	Line mount
Interface	None
Body Features	Ninety degree
Mounting Hole Diameter	7,1 mm
Mounting Hole Depth	Through
Mounting Hole Quantity	2
Open Cavities	1
Cavity	T-150A
Port Size	1/2" BSPP
Model Weight	0.39 kg.

NOTES

Important: Carefully consider the maximum system pressure. The pressure rating of the manifold is dependent on the manifold material, with the port type/size a secondary consideration. Manifolds constructed of aluminum are not rated for pressures higher than 3000 psi (210 bar), regardless of the port type/size specified.

PORT DESIGNATORS

Modifiers	Ports
JLV, /S	All Ports: 1/2" BSPP;

CONFIGURATION OPTIONS

Model Code Example: JLV

MODIFIER

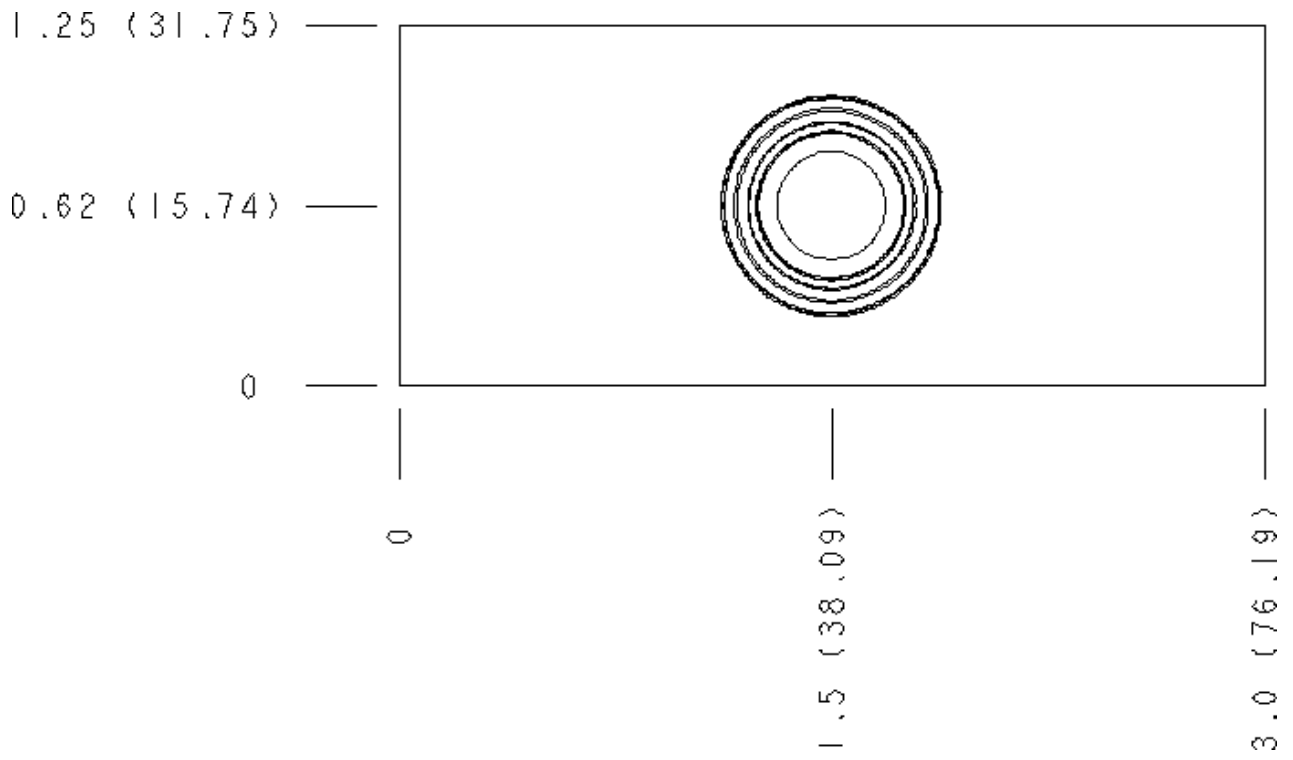
6061-T651 Aluminum, Buna-N
/S 65-45-12 Ductile Iron, Buna-N, Blackened

MANIFOLD FACES

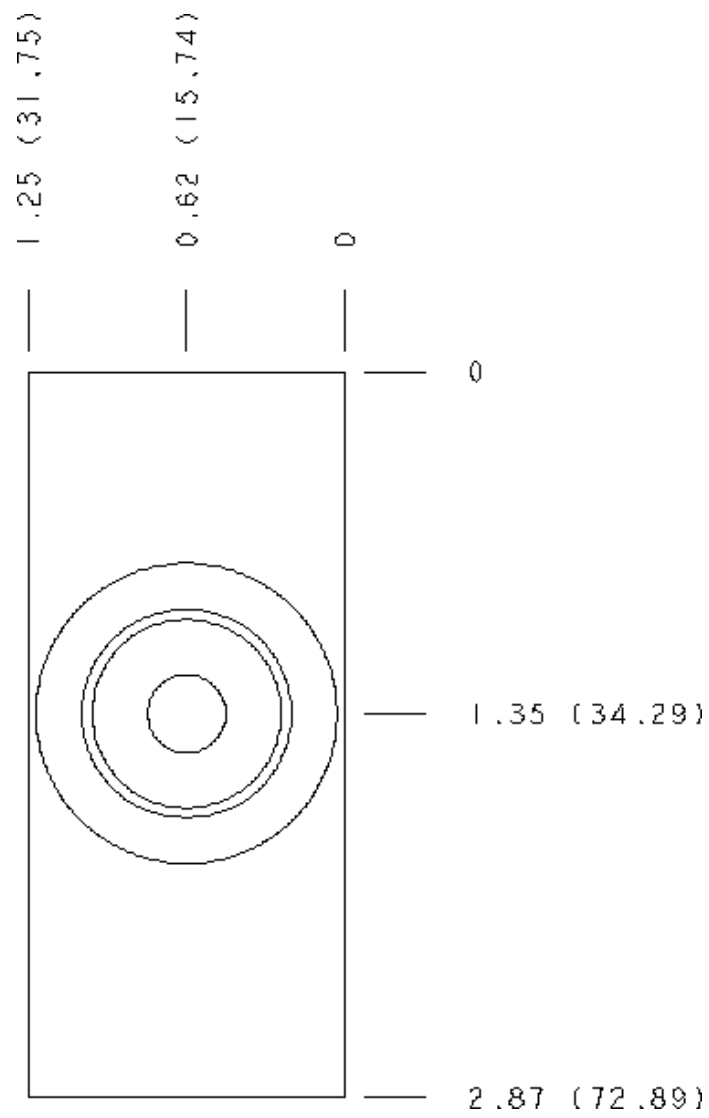
FACE GRID

1	2	3	4
5	6	7	8
9	10	11	12

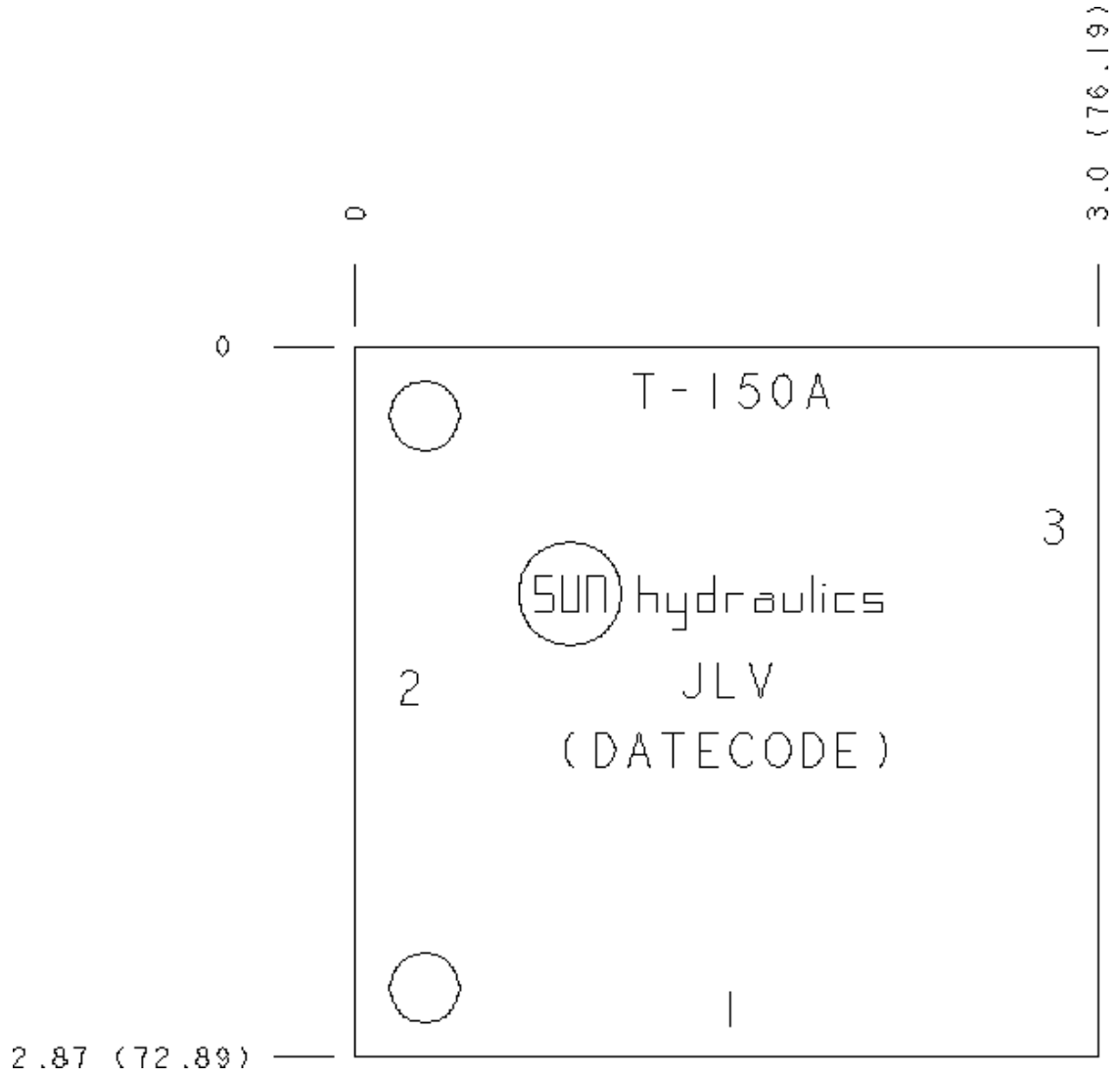
Face 2



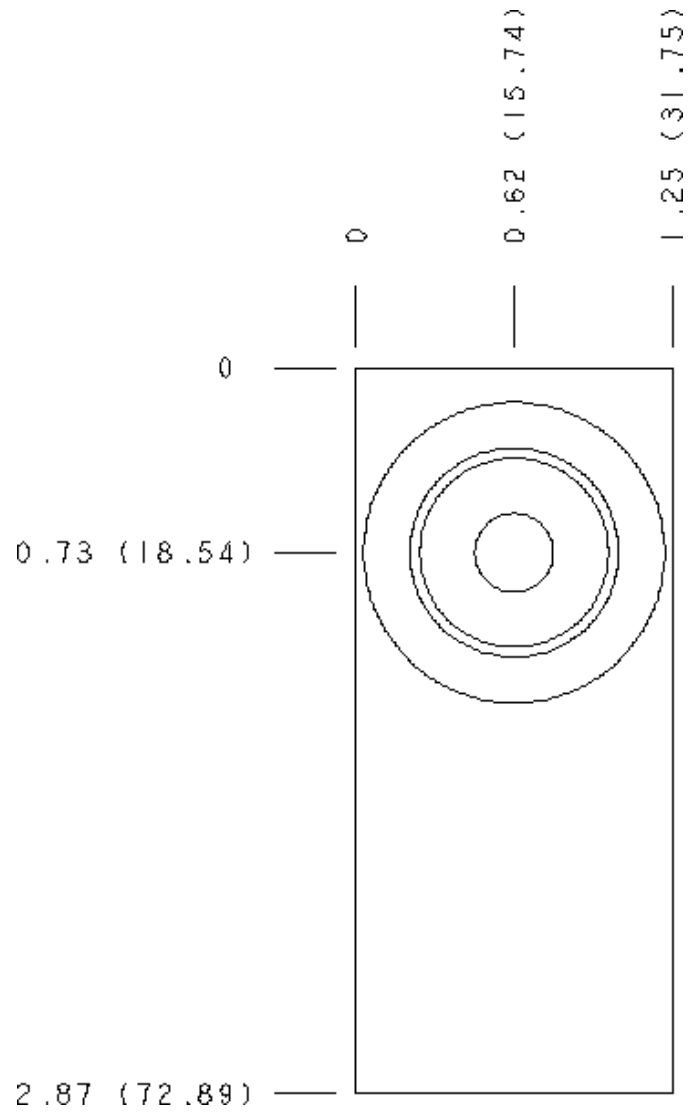
Face 5



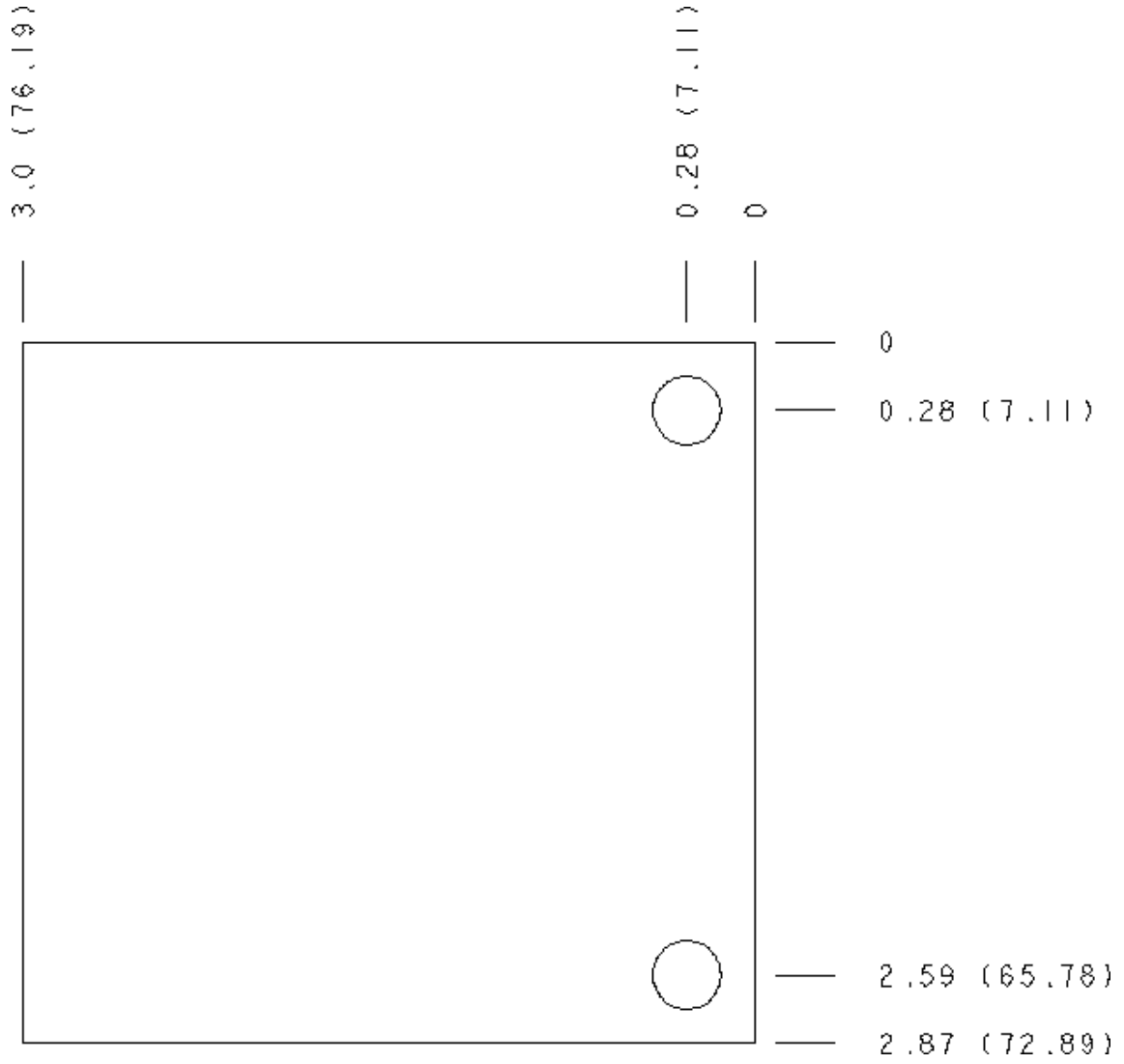
Face 6



Face 7



Face 8



Face 10

